

**Driver LC 60W 24V SC SNC**

essence series 24 V – not dimmable (IP20)

**Product description**

- \_ Constant voltage LED driver
- \_ Output voltage 24 V
- \_ Max. output power 60 W
- \_ Dimmable via external PWM LED dimmers attached on output side
- \_ Nominal lifetime up to 50,000 h
- \_ 5 years guarantee

**Typical applications**

- \_ Cove lighting, facade accent lighting, ceiling integration, refrigerated displays

**Technical details**

- \_ 24 V, 60 W
- \_ Small design (225 x 43 x 30.2 mm) with stretched-compact strain relief
- \_ Very good THD performance in wide load range < 5 %
- \_ Output LF voltage ripple (< 120 Hz)  $\pm$  1.5 %
- \_ Small cross section
- \_ Push terminals for simple wiring

**System solution**

- \_ Tridonic LLE-FLEX ADV G2 600, 1,200, 1,800 lm/m
- \_ Tridonic LLE-FLEX EXC 600, 1,200, 1,800, 2,500 lm/m
- \_ In connection with Flex accessories wire to PCB plug

**Website**

<http://www.tridonic.com/87500665>



Spotlights



Downlights



Linear



Area



Floor | Wall



Free-standing



Street



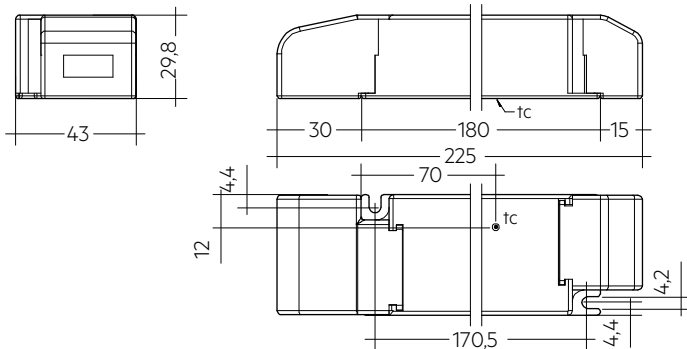
Decorative



High bay

**Driver LC 60W 24V SC SNC**

essence series 24 V – not dimmable (IP20)

**The complete data sheet for this product is available in the Downloads section.****Ordering data**

Type	Article number	Packaging, carton <sup>2</sup>	Packaging, pallet	Packaging, high volume	Weight per pc.
<b>Multi packaging</b>					
<b>LC 60W 24V SC SNC</b>	<b>87500665</b>	10 pc(s).	120 pc(s).	1,200 pc(s).	0.18 kg

**Technical data**

Rated supply voltage	220 – 240 V
AC voltage range	198 – 264 V
Mains frequency	50 / 60 Hz
Oversvoltage protection	320 V AC, 48 h
Typ. rated current (at 230 V, 50 Hz, full load) <sup>1</sup>	291 mA
Max. input power	67 W
Typ. efficiency (at 230 V, 50 Hz, full load)	92 %
$\lambda$ (at 230 V, 50 Hz, full load) <sup>1</sup>	0.98
Typ. input current in no-load operation	47 mA
Typ. input power in no-load operation	1.5 W
In-rush current (peak / duration)	27.7 A / 198 $\mu$ s
THD (at 230 V, 50 Hz, full load) <sup>1</sup>	< 4 %
Output P <sub>ST_LM</sub> (at full load)	$\leq 1$
Output SVM (at full load)	$\leq 0.4$
Starting time (at 230 V, 50 Hz, full load) <sup>1</sup>	< 0.5 s
Turn off time (at 230 V, 50 Hz, full load)	< 0.5 s
Hold on time at power failure (output)	0 s
Output voltage tolerance	$\pm 1$ V
Output LF voltage ripple (< 120 Hz)	$\pm 1.5$ %
Max. output voltage (U-OUT)	25 V
Burst capability	1 kV
Mains surge capability (between L - N)	1 kV
Mains surge capability (between L/N - PE)	2 kV
Type of protection	IP20
Lifetime	up to 50,000 h
Guarantee	5 Year(s)
Dimensions L x W x H	225 x 43 x 29.8 mm

**Approval marks**

**Standards**

EN 55015, EN 61000-3-2, EN 61000-3-3, EN 61347-1, EN 61347-2-13, EN 62384, EN 61547, IEC 60335-1, IEC 60335-2-89

**Specific technical data**

Type	Load	Forward voltage	Output current	Max. Ausgangsleistung	Typ. power consumption	Typ. current consumption	t <sub>c</sub> point max.	Ambient temperature t <sub>a</sub>
LC 60W 24V SC SNC	30 %	24 V	750 mA	18 W	20.6 W	109 mA	75 °C	-20 ... +50 °C
LC 60W 24V SC SNC	55 %	24 V	1,375 mA	33 W	36.6 W	171 mA	80 °C	-20 ... +50 °C
LC 60W 24V SC SNC	80 %	24 V	2,000 mA	48 W	52.5 W	237 mA	85 °C	-20 ... +50 °C
LC 60W 24V SC SNC	100 %	24 V	2,500 mA	60 W	66.0 W	292 mA	85 °C	-20 ... +50 °C

① Valid at 100 % dimming level.

② The strain relief is included in both packaging variants. In the single packaging each Driver has also an individual packaging.