

**Driver LC 45W 500–1400mA flexC C EXC**

excite series

**Product description**

- \_ Constant current LED driver
- \_ Adjustable output current between 500 and 1,400 mA via ready2mains Programmer or I-SELECT 2 plugs
- \_ Max. output power 45 W
- \_ Up to 88 % efficiency
- \_ Nominal lifetime up to 100,000 h
- \_ 5 years guarantee

**Housing properties**

- \_ Casing: polycarbonate, white
- \_ Type of protection IP20

**Interfaces**

- \_ ready2mains (configuration via mains)
- \_ Terminal blocks: 45° push terminals

**Functions**

- \_ Adjustable output current in 1-mA-steps (ready2mains, I-SELECT 2)
- \_ Protective features (overtemperature, short-circuit, overload, no-load, input voltage range)
- \_ Intelligent Voltage Guard (overvoltage and undervoltage monitoring)
- \_ Suitable for emergency escape lighting systems acc. to EN 50172

**Benefits**

- \_ Application-oriented operating window for maximum compatibility
- \_ Best energy savings due to high efficiency
- \_ Flexible configuration via ready2mains and I-SELECT 2

**Typical applications**

- \_ For downlight, spotlight and decorative applications

**Website**

<http://www.tridonic.com/28000695>



Spotlights



Downlights



Linear



Area



Floor | Wall



Free-standing



Street



Decorative

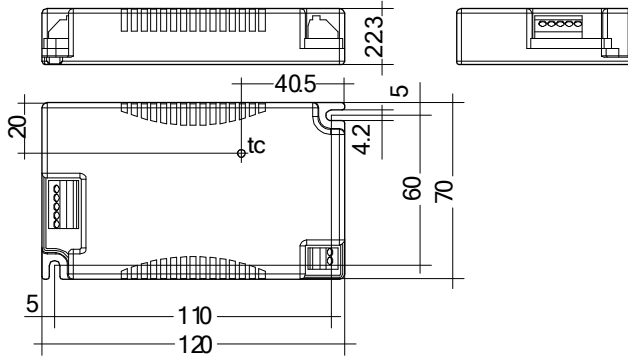


High bay

## Driver LC 45W 500–1400mA flexC C EXC

excite series

The complete data sheet for this product is available in the Downloads section.



## Ordering data

Type	Article number	Packaging, carton	Packaging, pallet	Weight per pc.
LC 45W 500-1400mA flexC C EXC	28000695	10 pc(s).	960 pc(s).	0.144 kg

**Technical data**

Rated supply voltage	220 – 240 V
AC voltage range	198 – 264 V
DC voltage range	176 – 280 V
Mains frequency	0 / 50 / 60 Hz
Overvoltage protection	320 V AC, 48 h
Typ. rated current (at 230 V, 50 Hz, full load) ①	230 mA
Typ. current (220 V, 0 Hz, full load, 68 % dimming level) ①	173 mA
Leakage current (at 230 V, 50 Hz, full load) ①	< 250 µA
Max. input power	51.5 W
Typ. efficiency (at 230 V, 50 Hz, full load) ①	88 %
λ (at 230 V, 50 Hz, full load)	0.95
Typ. input current in no-load operation	22 mA
Typ. input power in no-load operation	0.59 W
In-rush current (peak / duration)	24.7 A / 268 µs
THD (at 230 V, 50 Hz, full load)	< 10 %
Starting time (at 230 V, 50 Hz, full load)	< 500 ms
Starting time (DC mode)	< 500 ms
Switchover time (AC/DC) ②	< 0.2 s
Turn off time (at 230 V, 50 Hz, full load)	< 50 ms
Output current tolerance ③	± 5 %
Max. output current peak (non-repetitive)	≤ output current + 35 %
Output LF current ripple (< 120 Hz)	± 5 %
Output P_ST_LM (at full load)	≤ 1
Output SVM (at full load)	≤ 0.4
Max. output voltage (U-OUT)	60 V
Mains surge capability (between L - N)	1 kV
Mains surge capability (between L/N - PE)	2 kV
Burst / surge peaks output side against PE	< 500 V
Type of protection	IP20
Lifetime	up to 100,000 h
Guarantee	5 Year(s)
Dimensions L x W x H	120 x 70 x 22 mm

**Approval marks****Standards**

EN 55015, EN 61000-3-2, EN 61000-3-3, EN 61347-1, EN 61347-2-13, EN 62384, EN 61547, according to EN 50172, according to EN 60598-2-22

**Specific technical data**

Type	Output current <sup>④</sup>	Min. forward voltage	Max. forward voltage	Max. output power	Typ. power consumption n (at 230 V, 50 Hz, full load)	Typ. current consumption n (at 230 V, 50 Hz, full load)	tc point max.	Ambient temperature ta	I-SELECT2 resistor value <sup>⑤</sup>
LC 45W 500-1400mA flexC C EXC	500 mA	20 V	50.0 V	25.0 W	28.7 W	135 mA	85 °C	-25 ... +50 °C	-
LC 45W 500-1400mA flexC C EXC	550 mA	20 V	50.0 V	27.5 W	31.3 W	146 mA	85 °C	-25 ... +50 °C	9.09 kΩ
LC 45W 500-1400mA flexC C EXC	600 mA	20 V	50.0 V	30.0 W	34.4 W	158 mA	85 °C	-25 ... +50 °C	8.33 kΩ
LC 45W 500-1400mA flexC C EXC	650 mA	20 V	50.0 V	32.5 W	36.8 W	169 mA	85 °C	-25 ... +50 °C	7.69 kΩ
LC 45W 500-1400mA flexC C EXC	700 mA	20 V	50.0 V	35.0 W	39.6 W	180 mA	85 °C	-25 ... +50 °C	7.14 kΩ
LC 45W 500-1400mA flexC C EXC	750 mA	20 V	50.0 V	37.5 W	41.9 W	190 mA	85 °C	-25 ... +50 °C	6.67 kΩ
LC 45W 500-1400mA flexC C EXC	800 mA	20 V	50.0 V	40.0 W	44.5 W	201 mA	85 °C	-25 ... +50 °C	6.25 kΩ
LC 45W 500-1400mA flexC C EXC	850 mA	20 V	50.0 V	42.5 W	47.4 W	213 mA	85 °C	-25 ... +50 °C	5.88 kΩ
LC 45W 500-1400mA flexC C EXC	900 mA	20 V	50.0 V	45.0 W	50.0 W	224 mA	85 °C	-25 ... +50 °C	5.56 kΩ
LC 45W 500-1400mA flexC C EXC	950 mA	20 V	47.4 V	45.0 W	50.0 W	224 mA	85 °C	-25 ... +50 °C	5.26 kΩ
LC 45W 500-1400mA flexC C EXC	1,000 mA	20 V	45.0 V	45.0 W	50.3 W	225 mA	85 °C	-25 ... +50 °C	5.00 kΩ
LC 45W 500-1400mA flexC C EXC	1,050 mA	20 V	42.9 V	45.0 W	50.2 W	225 mA	85 °C	-25 ... +50 °C	4.76 kΩ
LC 45W 500-1400mA flexC C EXC	1,100 mA	20 V	40.9 V	45.0 W	50.9 W	228 mA	85 °C	-25 ... +50 °C	4.55 kΩ
LC 45W 500-1400mA flexC C EXC	1,150 mA	20 V	39.1 V	45.0 W	50.9 W	228 mA	85 °C	-25 ... +50 °C	4.35 kΩ
LC 45W 500-1400mA flexC C EXC	1,200 mA	20 V	37.5 V	45.0 W	50.2 W	225 mA	85 °C	-25 ... +50 °C	4.17 kΩ
LC 45W 500-1400mA flexC C EXC	1,250 mA	20 V	36.0 V	45.0 W	50.8 W	227 mA	85 °C	-25 ... +50 °C	4.00 kΩ
LC 45W 500-1400mA flexC C EXC	1,300 mA	20 V	34.6 V	45.0 W	50.9 W	230 mA	85 °C	-25 ... +50 °C	3.85 kΩ
LC 45W 500-1400mA flexC C EXC	1,350 mA	20 V	33.3 V	45.0 W	51.3 W	229 mA	85 °C	-25 ... +50 °C	3.70 kΩ
LC 45W 500-1400mA flexC C EXC	1,400 mA	20 V	32.1 V	45.0 W	51.5 W	230 mA	85 °C	-25 ... +50 °C	0.00 kΩ

① Depending on the selected output current.

② Valid for immediate change of power supply type otherwise the starting time is valid.

③ Output current is mean value.

④ The table only lists a number of possible operating points but does not cover each single point. The output current can be set within the total value range in 1-mA-steps.

⑤ Not compatible with I-SELECT (generation 1). Calculated resistor value.