

**Driver LC 17W 250–700mA flexC C EXC**

excite series

**Product description**

- \_ Constant current LED driver
- \_ Adjustable output current between 250 and 700 mA via ready2mains Programmer or I-SELECT 2 plugs
- \_ Max. output power 17 W
- \_ Up to 84 % efficiency
- \_ Nominal lifetime up to 100,000 h
- \_ 5 years guarantee

**Housing properties**

- \_ Casing: polycarbonate, white
- \_ Type of protection IP20

**Interfaces**

- \_ ready2mains (configuration via mains)
- \_ Terminal blocks: 45° push terminals

**Functions**

- \_ Adjustable output current in 1-mA-steps (ready2mains, I-SELECT 2)
- \_ Protective features (overtemperature, short-circuit, overload, no-load, input voltage range)
- \_ Intelligent Voltage Guard (overvoltage and undervoltage monitoring)
- \_ Suitable for emergency escape lighting systems acc. to EN 50172

**Benefits**

- \_ Application-oriented operating window for maximum compatibility
- \_ Best energy savings due to high efficiency
- \_ Flexible configuration via ready2mains and I-SELECT 2

**Typical applications**

- \_ For downlight, spotlight and decorative applications

**Website**

<http://www.tridonic.com/28000693>



Spotlights



Downlights



Linear



Area



Floor | Wall



Free-standing



Street



Decorative

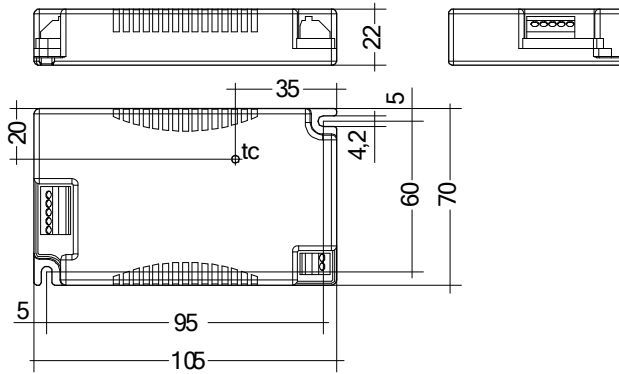


High bay

**Driver LC 17W 250–700mA flexC C EXC**

excite series

The complete data sheet for this product is available in the Downloads section.

**Ordering data**

Type	Article number	Packaging, carton	Packaging, pallet	Weight per pc.
LC 17W 250-700mA flexC C EXC	28000693	10 pc(s).	1,120 pc(s).	0.118 kg

**Technical data**

Rated supply voltage	220 – 240 V
AC voltage range	198 – 264 V
DC voltage range	176 – 280 V
Mains frequency	0 / 50 / 60 Hz
Overvoltage protection	320 V AC, 48 h
Typ. rated current (at 230 V, 50 Hz, full load) <sup>①</sup>	94 mA
Typ. current (220 V, 0 Hz, full load, 70 % dimming level) <sup>①</sup>	55 mA
Leakage current (at 230 V, 50 Hz, full load) <sup>①</sup>	< 250 $\mu$ A
Max. input power	20.7 W
Typ. efficiency (at 230 V, 50 Hz, full load) <sup>①</sup>	84 %
$\lambda$ (at 230 V, 50 Hz, full load)	0.95
Typ. input current in no-load operation	17 mA
Typ. input power in no-load operation	0.6 W
In-rush current (peak / duration)	15 A / 204 $\mu$ s
THD (at 230 V, 50 Hz, full load)	< 10 %
Starting time (at 230 V, 50 Hz, full load)	< 500 ms
Starting time (DC mode)	< 500 ms
Switchover time (AC/DC) <sup>②</sup>	< 0.2 s
Turn off time (at 230 V, 50 Hz, full load)	< 50 ms
Output current tolerance <sup>③</sup>	$\pm$ 5 %
Max. output current peak (non-repetitive)	$\leq$ output current + 35 %
Output LF current ripple (< 120 Hz)	$\pm$ 5 %
Output P_ST_LM (at full load)	$\leq$ 1
Output SVM (at full load)	$\leq$ 0.4
Max. output voltage (U-OUT)	60 V
Mains surge capability (between L - N)	1 kV
Mains surge capability (between L/N - PE)	2 kV
Burst / surge peaks output side against PE	< 500 V
Type of protection	IP20
Lifetime	up to 100,000 h
Guarantee	5 Year(s)
Dimensions L x W x H	105 x 70 x 22 mm

**Approval marks****Standards**

EN 55015, EN 61000-3-2, EN 61000-3-3, EN 61347-1, EN 61347-2-13, EN 62384, EN 61547, according to EN 50172, according to EN 60598-2-22

**Specific technical data**

Type	Output current <sup>④</sup>	Min. forward voltage	Max. forward voltage	Max. output power	Typ. power consumption (at 230 V, 50 Hz, full load)	Typ. current consumption (at 230 V, 50 Hz, full load)	t <sub>c</sub> point max.	Ambient temperature t <sub>a</sub>	I-SELECT 2 resistor value <sup>⑤</sup>
LC 17W 250-700mA flexC C EXC	250 mA	15 V	50.0 V	12.5 W	15.7 W	74 mA	80 °C	-25 ... +55 °C	-
LC 17W 250-700mA flexC C EXC	300 mA	15 V	50.0 V	15.0 W	18.1 W	85 mA	80 °C	-25 ... +55 °C	16.67 k $\Omega$
LC 17W 250-700mA flexC C EXC	350 mA	15 V	48.6 V	17.0 W	20.4 W	94 mA	80 °C	-25 ... +55 °C	14.29 k $\Omega$
LC 17W 250-700mA flexC C EXC	400 mA	15 V	42.5 V	17.0 W	20.3 W	94 mA	80 °C	-25 ... +55 °C	12.50 k $\Omega$
LC 17W 250-700mA flexC C EXC	450 mA	15 V	37.8 V	17.0 W	20.2 W	93 mA	80 °C	-25 ... +55 °C	11.11 k $\Omega$
LC 17W 250-700mA flexC C EXC	500 mA	15 V	34.0 V	17.0 W	20.3 W	94 mA	80 °C	-25 ... +55 °C	10.00 k $\Omega$
LC 17W 250-700mA flexC C EXC	550 mA	15 V	30.9 V	17.0 W	20.2 W	93 mA	80 °C	-25 ... +55 °C	9.09 k $\Omega$
LC 17W 250-700mA flexC C EXC	600 mA	15 V	28.3 V	17.0 W	20.2 W	93 mA	80 °C	-25 ... +55 °C	8.33 k $\Omega$
LC 17W 250-700mA flexC C EXC	650 mA	15 V	26.2 V	17.0 W	20.2 W	93 mA	80 °C	-25 ... +55 °C	7.69 k $\Omega$
LC 17W 250-700mA flexC C EXC	700 mA	15 V	24.3 V	17.0 W	20.1 W	93 mA	80 °C	-25 ... +55 °C	0.00 k $\Omega$

<sup>①</sup> Depending on the selected output current.

<sup>②</sup> Valid for immediate change of power supply type otherwise the starting time is valid.

<sup>③</sup> Output current is mean value.

<sup>④</sup> The table only lists a number of possible operating points but does not cover each single point. The output current can be set within the total value range in 1-mA-steps.

<sup>⑤</sup> Not compatible with I-SELECT (generation 1). Calculated resistor value.