

Driver LC 50/60W 1200/700/1400mA fixC SR SNC

essence series

**Product description**

- _ Independent fixed output LED driver
- _ Constant current LED driver
- _ For luminaires of protection class I and protection class II
- _ Temperature protection as per EN 61347-2-13 C5e
- _ Output current 1,200, 700 or 1,400 mA
- _ Max. output power 50 or 60 W
- _ Nominal lifetime up to 50,000 h
- _ 5 years guarantee

Housing properties

- _ Casing: polycarbonate, white
- _ Type of protection IP20

Functions

- _ Overtemperature protection
- _ Overload protection
- _ Short-circuit protection
- _ No-load protection

Website

<http://www.tridonic.com/87500553>



Spotlights



Downlights



Linear



Area



Floor | Wall



Free-standing



Street



Decorative

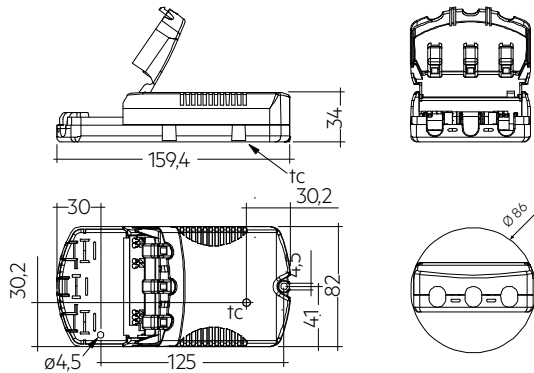


High bay

Driver LC 50/60W 1200/700/1400mA fixC SR SNC

essence series

The complete data sheet for this product is available in the Downloads section.



Ordering data

Type	Article number	Packaging, carton	Packaging, low volume	Packaging, high volume	Weight per pc.
LC 50W 1200mA fixC SR SNC	87500553	30 pc(s).	300 pc(s).	1,200 pc(s).	0.196 kg

Technical data

Rated supply voltage	220 – 240 V
AC voltage range	198 – 264 V
Mains frequency	50 / 60 Hz
Overvoltage protection	320 V AC, 1 h
THD (at 230 V, 50 Hz, full load)	< 20 %
Output current tolerance ^①	± 7.5 %
Typ. current ripple (at 230 V, 50 Hz, full load)	± 30 %
Starting time (at 230 V, 50 Hz, full load)	≤ 0.5 s
Turn off time (at 230 V, 50 Hz, full load)	≤ 0.2 s
Hold on time at power failure (output)	0 s
Ambient temperature <i>t</i> _a	-20 ... +50 °C
Ambient temperature <i>t</i> _a (at lifetime 50,000 h)	40 °C
Storage temperature <i>t</i> _s	-40 ... +80 °C
Lifetime	up to 50,000 h
Guarantee	5 Year(s)
Dimensions L x W x H	159.4 x 82 x 34 mm

Approval marks



Standards

EN 55015, EN 61000-3-2, EN 61000-3-3, EN 61347-1, EN 61347-2-13, EN 61547

Specific technical data

Type	Output current ^①	Input current (at 230 V, 50 Hz, full load)	Max. input power	Typ. power consumption (at 230 V, 50 Hz, full load)	Output power range	λ at full load	Efficiency at full load	λ at min. load	Efficiency at min. load ^②	Min. forward voltage	Max. forward voltage	Max. output voltage (U _{OUT})	Max. peak output current at full load ^③	Max. peak output current at min. load ^③	Max. casing temperature <i>t</i> _c
LC 50W 1200mA fixC SR SNC	1,200 mA	260 mA	58 W	55.5 W	36 – 51.6 W	0.96	90 %	0.92C	88 %	30 V	43 V	54 V	1,700 mA	1,800 mA	90 °C

① Output current is mean value.

② Test result at 230 V, 50 Hz.

③ The trend between min. and full load is linear.