

## 6W Constant Current -SS Series

SS-6-XXX MB



■ Approve

SELV CE

### ■ Features

- Class II, SELV, built-in
- Input Voltage 220-240VAC
- Protections: SCP/OLP/OVP
- Power Factor 0.7C
- Efficiency  $\geq 76\%$
- 5 years warranty

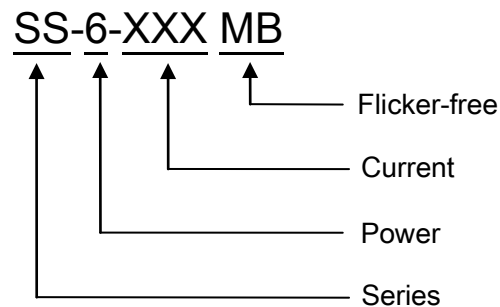
### ■ Applications

- LED panel
- LED spot light
- LED down light
- COB light

### ■ Description

SS-6-XXX MB is a 6W constant current LED driver with 120 to 700mA output current. With its compact dimensions from 58.1 x 28.5 x 21 mm it is easy to integrate in LED Panel, spot, down light and COB light products. To ensure trouble-free operation, protection is provided against output short circuit and over Load.

### ■ Model code



## 6W Constant Current -SS Series

SS-6-XXX MB

### ■ Specification

Input	Rated input voltage	220-240VAC					
	Range of input voltage	198-264VAC					
	Rated input voltage(DC)	198-254V					
	DC voltage range	176-280V					
	Frequency(Hz)	0/50/60 Hz					
	Power Factor	0.7C@Full Load,230VAC					
	Input Current max	0.11A MAX. @Full Load,198VAC					
	Start-up time	< 0.5S					
	Unload Power Consumption	≤0.5W					
	Inrush Current	10A Max.					
	Leakage Current	< 0.7mA(240VAC)					
Output	Constant Current. *Note.3	120mA	150mA	200mA	250mA	...	700mA
	Unload voltage Max.	59VDC	59VDC	45VDC	35VDC	...	25VDC
	Voltage Range(VDC)	20-40VDC	20-40VDC	15-30VDC	12-24VDC	...	2.8-9VDC
	Rated power	4.8W Max.	6W Max.	6 W Max.	6 W Max.	...	6.3 W Max.
	Current Accuracy	±5% @220-240VAC					
	Voltage Regulation	±5% @Full Load , 220-240VAC					
	Load Regulation	±5% @220-240VAC					
	Hold-up Time	1s max.@Full Load					
	Ripple& Noise *Note.2	≤±5% @Full Load , 240VAC					
	Output LF current ripple(<120Hz)	≤±5% @Full Load , 240VAC					
	Efficiency(Typ.)	≥76%					
Protection	Over Load Protection	103-180% Protection type: Auto Resume					
	Over Voltage Protection	> 34VDC	> 30VDC	> 25VDC	> 23VDC	...	> 25 VDC
	Short circuit Protection	Protection type: Auto Resume					
Environment	Operating Temperature	-20°C...+50°C					
	tc	85°C					
	Storage Temperature	-25°C...+60°C					
	Life time	> 30,000h@50°C					
	Humidity	20%-90%RH					
Others	Dimension	58.1X28.5X21 (LXWXH)mm					
Safety & EMC	Safety standards	EN 61347-1; EN61347-2-13; EN62384					
	Withstand voltage	Input-Output : 3750V/5mA/1min					
	Isolation resistance	Input-Output : ≥4MΩ@500VDC					
	EMI	EN55015; EN61000-3-2 Class C; EN61000-3-3					
	EMS	EN 61547; EN 61000-4-2; EN 61000-4-5 —500V;					
Note	1.All parameters NOT specially mentioned are measured at 240VAC input , full load and 25°C of ambient temperature. 2.Ripple & Noise are measured at 20MHz of bandwidth by using a 300mm twisted pair-wire terminated with a 0.1uF & 47 uF parallel capacitor. 3.Output current can be from 120mA to 700mA. Please see Model list below and contact EAGLERISE for details.						

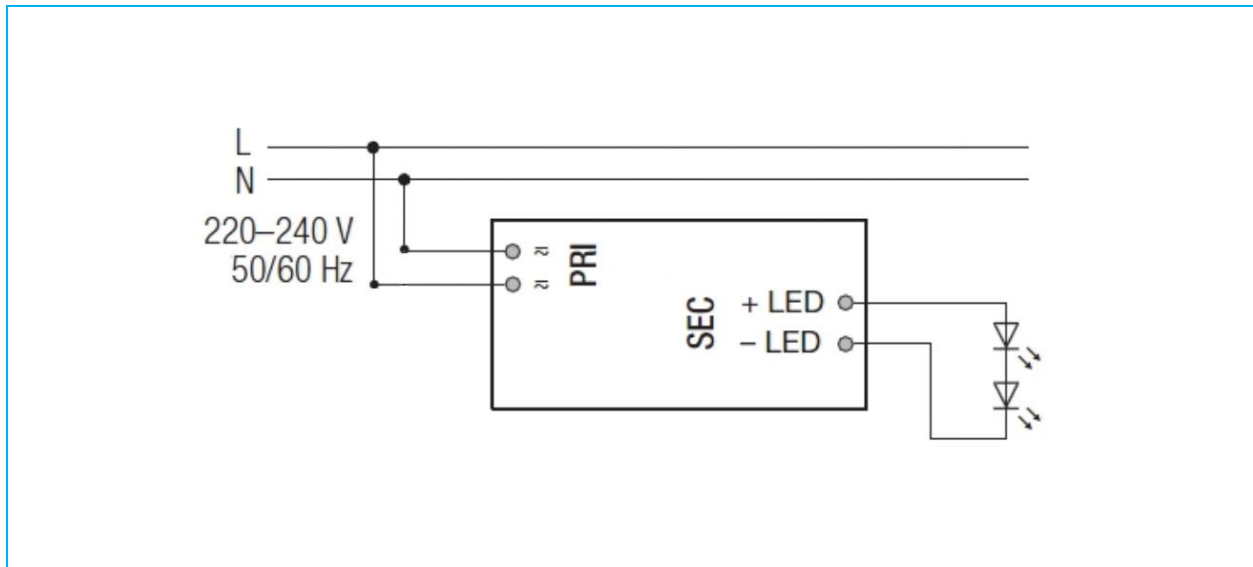
## 6W Constant Current -SS Series

SS-6-XXX MB

### Model list

No.	Model number	Input			Output			
		Voltage (VAC)	Max.Current (A)	Frequency (Hz)	Constant current (mA)	Normal working voltage (VDC)	No load working voltage (VDC)	Max. Power(W)
1	SS-6-120 MB	220-240	0.11	50/60	120	20-40	59	4.8
2	SS-6-150 MB	220-240	0.11	50/60	150	20-40	59	6
3	SS-6-200 MB	220-240	0.11	50/60	200	15-30	45	6
4	SS-6-250 MB	220-240	0.11	50/60	250	12-24	35	6
5	SS-6-300 MB	220-240	0.11	50/60	300	10-20	34	6
6	SS-6-350 MB	220-240	0.11	50/60	350	8-20	30	7
7	SS-6-400 MB	220-240	0.11	50/60	400	8-15	25	6
8	SS-6-450 MB	220-240	0.11	50/60	450	7-13.5	24	6.1
9	SS-6-500 MB	220-240	0.11	50/60	500	6-12	23	6
10	SS-6-550 MB	220-240	0.11	50/60	550	5.5-11	22	6.1
11	SS-6-600 MB	220-240	0.11	50/60	600	5.5-10	25	6.2
12	SS-6-650 MB	220-240	0.11	50/60	650	5.5-9.5	25	6.2
13	SS-6-700 MB	220-240	0.11	50/60	700	2.8-9	25	6.3

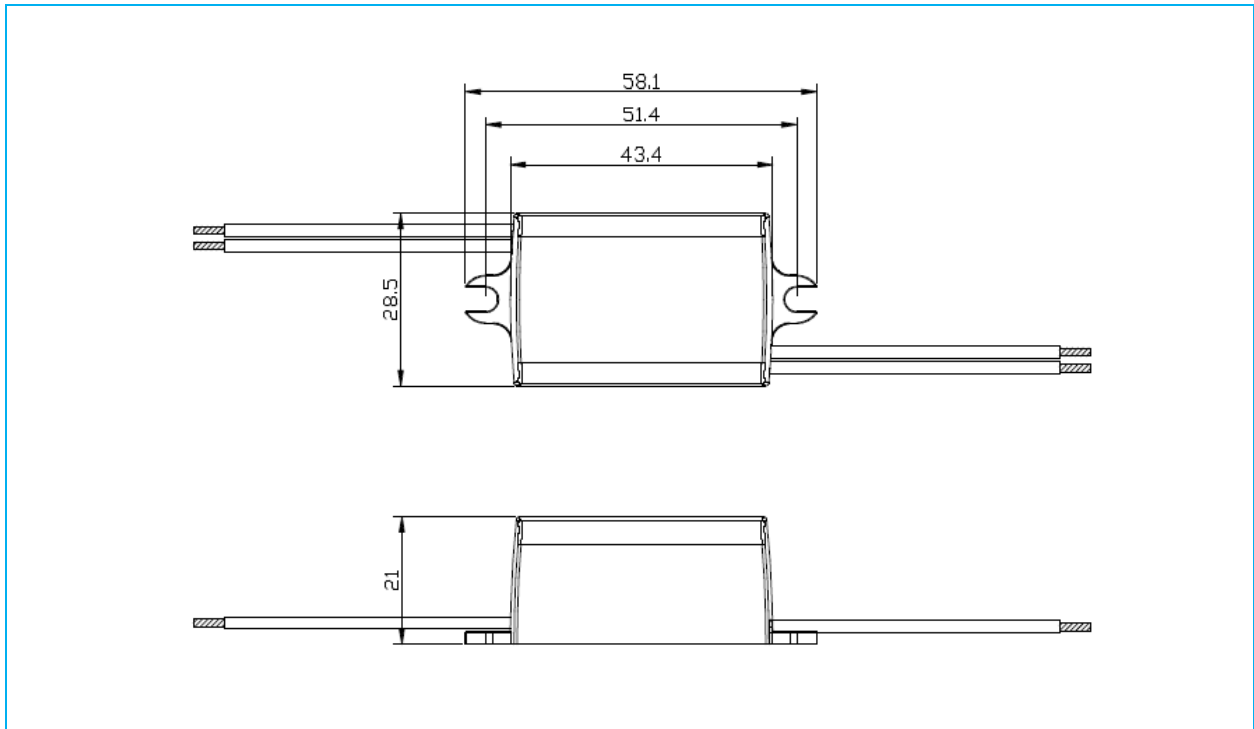
### Wiring diagram



## 6W Constant Current -SS Series

SS-6-XXX MB

### ■2D diagram



### ■Operating window

