

Approval Marks



Item	Value	Remark	
Nominal voltage	220 - 240 V		
Nominal frequency	50 - 60 Hz		
AC voltage range	198 - 264 V		
DC voltage range (start)	NA		
DC voltage range (operation)	NA		
Nominal current		Full load @230VAC	
LSC7W150LRP	60 mA		
LSC7W200LRP	60 mA		
LSC7W250LRP	60 mA		
LSC7W300LRP	60 mA		
LSC7W350LRP	60 mA		
LSC7W500LRP	60 mA		
LSC7W630LRP	60 mA		
LSC7W700LRP	60 mA		
Input	Total Harmonic Distortion (THD)	< 20 %	Full load @230VAC
	Power factor	0.9 C	Full load @230VAC
	Displacement factor	0.9 C	Full load @230VAC
	Efficiency		Full load @230VAC
	LSC7W150LRP	79 %(Typ.)	
	LSC7W200LRP	78 %(Typ.)	
	LSC7W250LRP	77 %(Typ.)	
	LSC7W300LRP	76 %(Typ.)	
	LSC7W350LRP	75 %(Typ.)	
	LSC7W500LRP	74 %(Typ.)	
LSC7W630LRP	73 %(Typ.)		
LSC7W700LRP	72 %(Typ.)		
No-load power	NA		
Stand-by power	NA		
Protection class	NA		
Inrush current	15 A / 30 us		
Earth leakage current	NA		

Item	Value	Remark
Nominal voltage range		
LSC7W150LRP	25 - 42 Vdc	
LSC7W200LRP	20 - 36 Vdc	
LSC7W250LRP	16 - 24 Vdc	
LSC7W300LRP	12 - 21 Vdc	
LSC7W350LRP	12 - 21 Vdc	
LSC7W500LRP	6 - 13 Vdc	
LSC7W630LRP	5.5 - 11.5 Vdc	
LSC7W700LRP	5 - 10 Vdc	
Maximum voltage		
LSC7W150LRP	50 Vdc	
LSC7W200LRP	42 Vdc	
LSC7W250LRP	30 Vdc	
LSC7W300LRP	27 Vdc	
LSC7W350LRP	27 Vdc	
LSC7W500LRP	18 Vdc	
LSC7W630LRP	18 Vdc	
LSC7W700LRP	18 Vdc	
Nominal current range		
LSC7W150LRP	150 mA	
LSC7W200LRP	200 mA	
LSC7W250LRP	250 mA	
LSC7W300LRP	300 mA	
LSC7W350LRP	350 mA	
LSC7W500LRP	500 mA	
LSC7W630LRP	630 mA	
LSC7W700LRP	700 mA	
Current accuracy		Full load @230VAC
LSC7W150LRP	± 7 %	
LSC7W200/250LRP	± 6 %	
LSC7W300/350/500/630/700LRP	± 5 %	
Typical output LF current ripple	± 5 %	Low Frequency < 120Hz Full load @230VAC
SVM	≤ 0.4	Full load @230VAC
P _{stLM}	≤ 1	Full load @230VAC
Starting time	< 0.5 S	Full load @230VAC
Nominal power range		
LSC7W150LRP	3.8 - 6.3 W	
LSC7W200LRP	4.0 - 7.2 W	
LSC7W250LRP	4.0 - 6.0 W	
LSC7W300LRP	3.6 - 6.3 W	
LSC7W350LRP	4.2 - 7.3 W	
LSC7W500LRP	3.0 - 6.5 W	
LSC7W630LRP	3.5 - 7.2 W	
LSC7W700LRP	3.5 - 7.0 W	
Maximum power	7 W	

Dimming	Dimming control	NA	
	Dimming technique	NA	
	PWM frequency	NA	
	Dimming range	NA	
	Lowest dimming current	NA	
	Galvanic isolation	NA	
Environment	Ambient temperature range t_a	- 20 °C - + 50 °C	
	Maximum case temperature t_c	90 °C	
	Max. case temp. in fault condition	110 °C	When operating under fault conditions, the temperature of the enclosure at any location should not exceed 110 °C
	Storage temperature range	- 40 °C - + 90 °C	
	Relative humidity	10 % - 90 %	
	Surge transient protection	1 kV	L/N
	Environmental rating	Indoor	
	IP rating	IP20	
	Mains switching cycles	> 100,000	
	Expected lifetime		
	Full Load	> 50,000 h , t_c 90 °C @ t_a 50 °C	0.2 % / 1,000 h failure rate
Output load $\leq 4W$	> 100,000 h , t_c 80 °C @ t_a 40 °C	0.1 % / 1,000 h failure rate	
Packing	Gross weight/Carton	kg	
	Net weight/Carton	kg	
	Pcs/Carton	100 PCS	
	Dimension/Carton	240 (L) * 190 (W) * 185 (H) mm	

Protections

Short- & open circuit proof, Auto, Overload protection

Conformity & Standards

Safety standard:	EN 61347-1, EN 61347-2-13, EN 62493
Performance:	EN 62384
EMC standard:	EN 55015, EN 61000-3-2, EN 61000-3-3, EN 61547

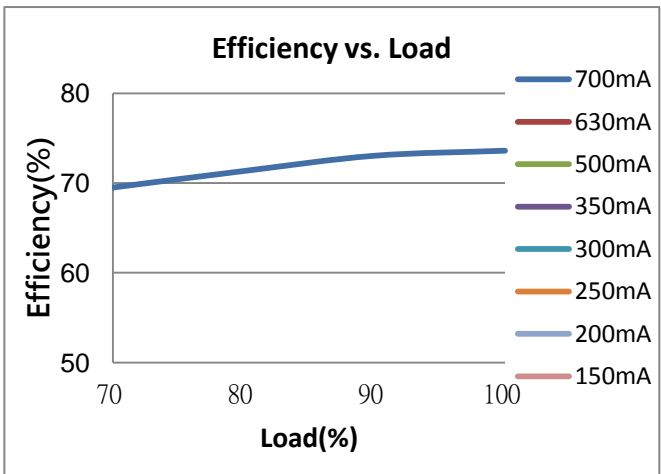
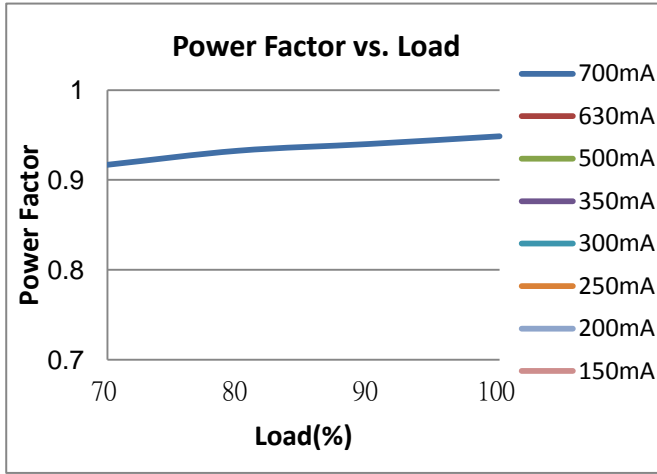
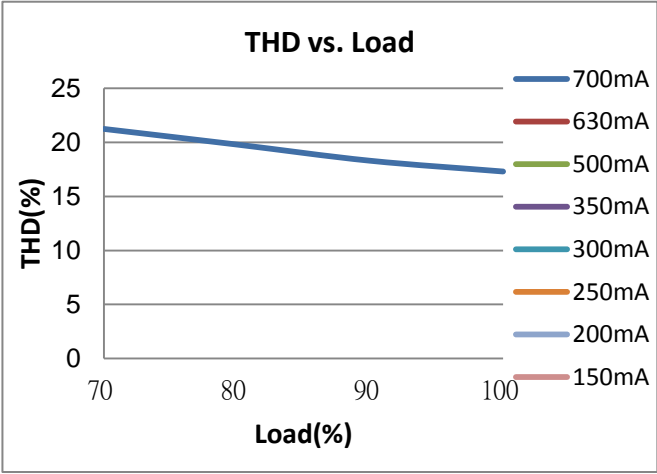
Cable information

PRI Connection	L	N
Color	Brown	Blue
Wire type	7022	7022
Wire diameter	AWG 18	AWG 18
Wire length	128 mm	128 mm
Stripping	6 mm	6 mm
Tolerance	\pm 5 mm	\pm 5 mm
Sec Connection	+	-
Color	Red	Black
Wire type	1332	1332
Wire diameter	AWG 22	AWG 22
Wire length	135 mm	135 mm
Strip length	10 mm	10 mm
Tolerance	\pm 5 mm	\pm 5 mm

Subject to change without notice, HEP guarantees all products perform functionally well

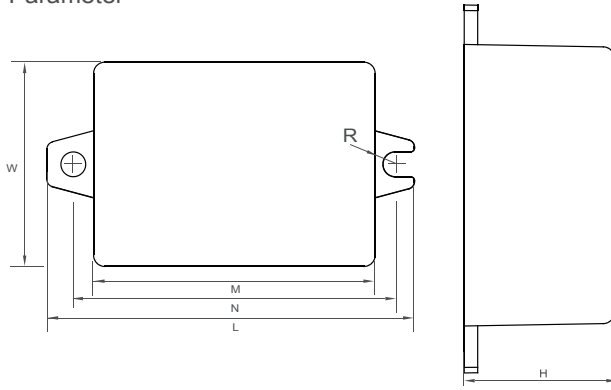
* If not mentioned, all the test conditions are based on full load at 230VAC input (for 220-240 VAC input).

Electrical Values



Physical

Parameter



L : 49 mm H : 20 mm

M : 37.5 mm N : 42.9 mm

W : 27.2 mm R : 1.65 mm

Tolerance : +/-1 mm , R : +/-0.5 mm

Housing Material Polycarbonate/ Potting

Soldering Lead-Free, Comply With RoHS

Label Surface Print

Wiring Diagram

