

12W Constant Current -LS Series

LS-12-XXX LI1



■ Approve



■ Features

- Class II, SELV, independent
- Input Voltage 220-240VAC
- Protections: SCP/OLP/OVP
- Power Factor 0.9C
- Efficiency $\geq 79\%$
- 5 years warranty

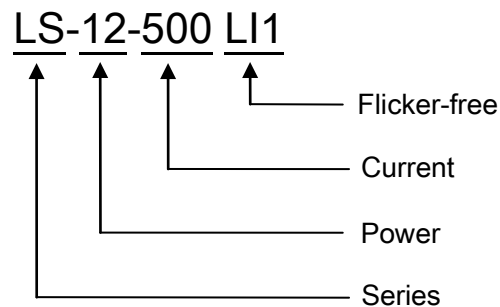
■ Applications

- LED panel
- LED spot lights
- LED down lights
- COB lights

■ Description

LS-12-XXX LI1 is a 12W constant current LED driver with 250 to 700mA output current. With it's compact dimensions from 100 x 38 x 25mm it is easy to integrate in LED Panel, spot, down lights and COB lights. To ensure trouble-free operation, protection is provided against output short circuit and over Load.

■ Model code



12W Constant Current -LS Series

LS-12-XXX LI1

■ Specification

Input	Rated input voltage	220-240VAC				
	Range of input voltage	176-264VAC				
	DC voltage range	176-280V				
	Frequency(Hz)	0/50/60 Hz				
	Power Factor	0.9C@Full Load,220-240VAC				
	Input Current max	0.09A MAX. @Full Load,176VAC				
	Start-up time	< 0.5S				
	Unload Power Consumption	≤0.5W				
	Inrush Current	15A Max.				
	THD	20% Typ.				
	Leakage Current	< 0.5mA(240VAC)				
Output	Constant Current Max. *Note.3	250mA	300mA	350mA	...	500mA
	Unload voltage Max.	50VDC	50VDC	45VDC	...	34VDC
	Voltage Range(VDC)	24-42VDC	24-42VDC	18-35VDC	...	14.5-24VDC
	Rated power	10.5W Max.	12.6W Max.	12.3W Max.	...	12W Max.
	Current Accuracy	±5% @220-240VAC				
	Voltage Regulation	±3% @Full Load,220-240VAC				
	Load Regulation	±5% @220-240VAC				
	Hold-up Time	1s max.@Full Load				
	Ripple& Noise *Note.2	≤15mAp-p	≤18mAp-p	≤21mAp-p	...	≤30mAp-p
	Efficiency(Typ.)	≥79 %				
Protection	Over Load Protection	103-120% Protection type: Auto Resume				
	Over Voltage Protection	> 50VDC	> 50VDC	> 45VDC	...	> 34VDC
	Short circuit Protection	Protection type: Auto Resume				
	Over Temperature protection	NA				
Environment	Operating Temperature	-20°C...+45°C				
	tc	75°C				
	Storage Temperature	-25°C...+60°C				
	Life time	> 30,000h@45°C				
	Humidity	10%-90%RH				
Others	Dimension	100X38X25(LXWXH)mm				
Safety & EMC	Safety standards	EN 61347-1; EN61347-2-13;				
	Withstand voltage	Input-Output : 3750V/5mA/1min				
	Isolation resistance	Input-Output : ≥4MΩ@500VDC				
	EMI	EN55015; EN61000-3-2 Class C; EN61000-3-3				
	EMS	EN 61547; EN 61000-4-2; EN 61000-4-5 —1000V;				
Note	1.All parameters NOT specially mentioned are measured at 240VAC input , full load and 25°C of ambient temperature. 2.Ripple & Noise are measured at 20MHz of bandwidth by using a 300mm twisted pair-wire terminated with a 0.1uF & 47 uF parallel capacitor. 3.Output current can be 280mA, 290mA or from 250mA to 500mA and increasing in multiples of 50mA. Please see Model list below and contact EAGLERISE for details.					

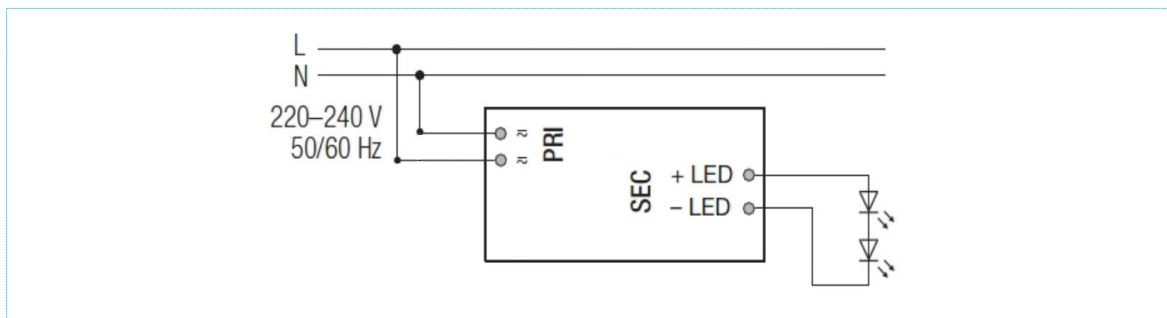
12W Constant Current -LS Series

LS-12-XXX LI1

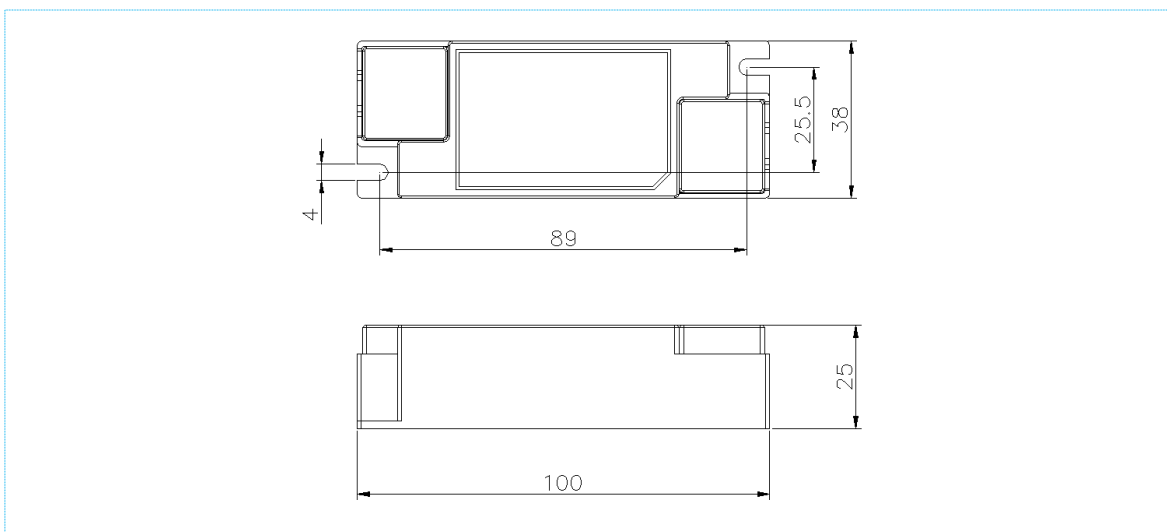
Model list

No.	Model number	Input			Output			
		Voltage (VAC)	Max.Current (A)	Frequency (Hz)	Constant current (mA)	Normal working voltage (VDC)	No load working voltage (VDC)	Max. P _{rated} (W)
1	LS-12-250 LI1	220-240	0.09	50/60	250	24-42	50	10.5
2	LS-12-280 LI1	220-240	0.09	50/60	280	24-42	50	11.8
3	LS-12-290 LI1	220-240	0.09	50/60	290	24-42	50	12.2
4	LS-12-300 LI1	220-240	0.09	50/60	300	24-42	50	12.6
5	LS-12-350 LI1	220-240	0.09	50/60	350	18-35	45	12.3
6	LS-12-400 LI1	220-240	0.09	50/60	400	18-30	40	12
7	LS-12-450 LI1	220-240	0.09	50/60	450	13-27	37	12.2
8	LS-12-500 LI1	220-240	0.09	50/60	500	14.5-24	34	12

Connection diagram



2D diagram

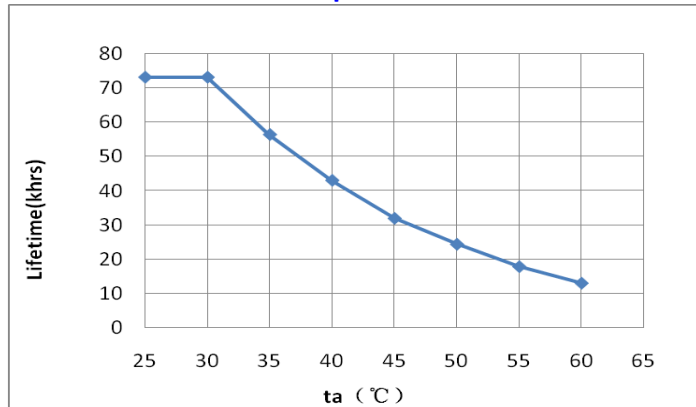


12W Constant Current -LS Series

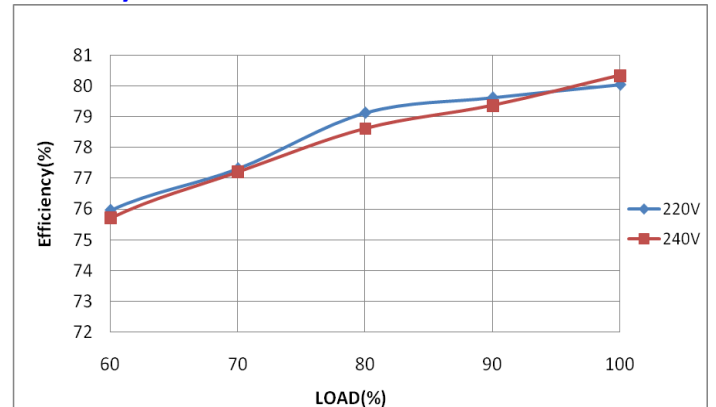
LS-12-XXX LI1

■Curve for LS-12-500 LI1

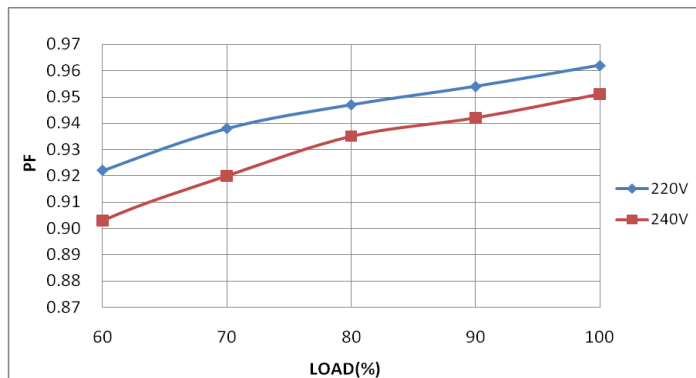
Lifetime vs. Ambient Temperature Curve



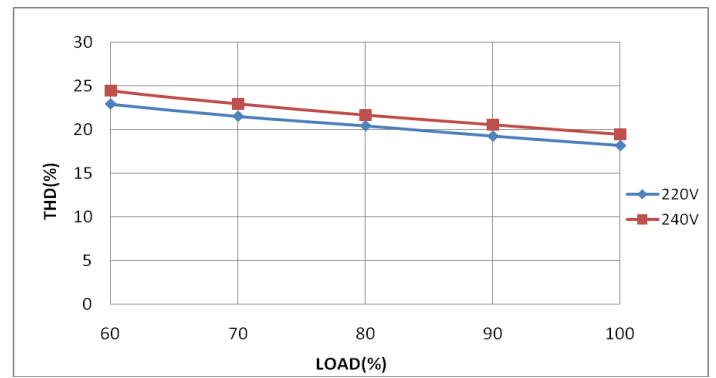
Efficiency vs. Load



Power Factor Characteristics



THD vs. Load



■Operating window

