

## 3W Constant Current -LS Series

LS-3-XXX SB



■ Approve

**SELV CE**

### ■ Features

- Class II, SELV, Built-in
- Input Voltage 220-240VAC
- Protections: SCP/OLP/OVP
- Power Factor >0.5
- Efficiency ≥70%
- 5 years warranty

### ■ Applications

- LED panel
- LED spot light
- LED down light
- LED Wall light

### ■ Description

LS-3-XXX SB is a 3W constant current LED driver with 150mA to 700mA output current. With its compact dimensions from 46 x 23 x 21mm it is easy to integrate in LED Panel, spot, down light and wall light products. To ensure trouble-free operation, protection is provided against output short circuit and over Load.

### ■ Model code



## 3W Constant Current -LS Series

LS-3-XXX SB

### ■ Specification

Input	Rated input voltage	220-240VAC			
	Range of input voltage	176-264VAC			
	DC voltage range	176-280V			
	Frequency(Hz)	0/50/60 Hz			
	Power Factor	>0.5@Full Load,230VAC			
	Input Current max	0.07A MAX.			
	Start-up time	< 0.5S			
	Unload Power Consumption	≤0.5W			
	Inrush Current	25A Max. /120μs@230V, Full Load , 50%Ipk-50%Ipk			
	Leakage Current	< 0.7mA(240VAC)			
	Output	Constant Current	150mA	350mA	...
Unload voltage Max.		24VDC	24VDC	...	10VDC
Voltage Range(VDC)		4-12VDC	2.5-12VDC	...	2.5-4.5VDC
Rated power		1.8W Max.	4.2W Max.	...	3.2W Max.
Current Accuracy		±5% @Full Load , 230VAC			
Voltage Regulation		±5% @Full Load , 220-240VAC			
Load Regulation		±5% @220-240VAC			
Hold-up Time		1s max.@Full Load			
Ripple& Noise *Note.2		≤±5% @Full Load , 230VAC			
Output LF current ripple(<120Hz)		≤±3% @Full Load , 230VAC			
Efficiency(Typ.)		≥70%			
Protection		Over Load Protection	103-150% Protection type: Auto Resume		
	Over Voltage Protection	> 24VDC	> 24VDC	...	>10VDC Protection type: Auto Resume
	Short circuit Protection	Protection type: Auto Resume			
Environment	Operating Temperature	-20°C...+50°C			
	tc	75°C			
	Storage Temperature	-25°C...+60°C			
	Life time	> 30,000h@50°C			
Others	Humidity	20%-90%RH			
	Dimension	46X23X21(LXWXH)			
Safety & EMC	Safety standards	EN 61347-1; EN61347-2-13; EN62384			
	Withstand voltage	Input-Output : 3750V/5mA/1min			
	Isolation resistance	Input-Output : ≥4MΩ@500VDC			
	EMI	EN55015; EN61000-3-2 Class A; EN61000-3-3			
	EMS	EN 61547; EN 61000-4-2; EN 61000-4-5 —500V;			
Note	1.All parameters NOT specially mentioned are measured at 230VAC input , full load and 25°C of ambient temperature. 2.Ripple & Noise are measured at 20MHz of bandwidth by using a 300mm twisted pair-wire terminated with a 0.1uF & 47 uF parallel capacitor. 3.Output current can be from 150mA to 700mA and increasing in multiples of 50mA. Please see Model list below and contact EAGLERISE for details.				

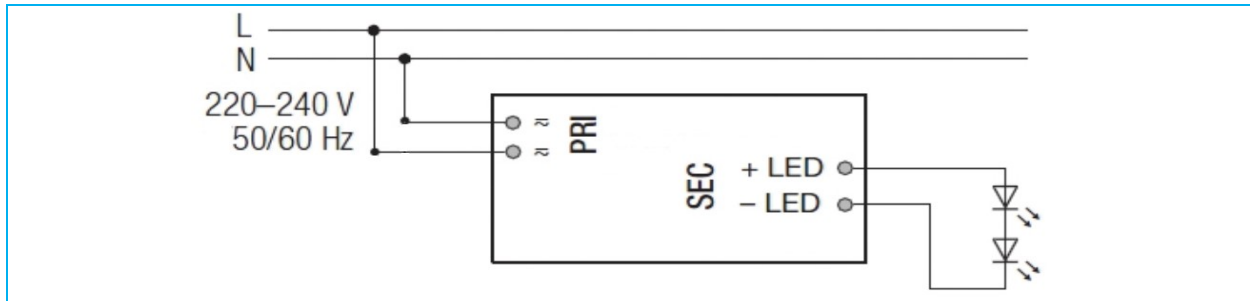
### 3W Constant Current -LS Series

LS-3-XXX SB

#### Model list

No.	Model number	Input			Output			
		Voltage (VAC)	Max.Current (A)	Frequency (Hz)	Constant current (mA)	Normal working voltage (VDC)	No load working voltage (VDC)	Max.Power(W)
1	LS-3-150 SB	220-240	0.07	50/60	150	4-12	24	1.8
2	LS-3-200 SB	220-240	0.07	50/60	200	4-12	24	2.4
3	LS-3-250 SB	220-240	0.07	50/60	250	4-12	24	3
4	LS-3-300 SB	220-240	0.07	50/60	300	2.5-12	24	3.6
5	LS-3-350 SB	220-240	0.07	50/60	350	2.5-12	24	4.2
6	LS-3-400 SB	220-240	0.07	50/60	400	2.5-8	16	3.2
7	LS-3-450 SB	220-240	0.07	50/60	450	2.5-8	16	3.6
8	LS-3-500 SB	220-240	0.07	50/60	500	2.5-8	16	4
9	LS-3-550 SB	220-240	0.07	50/60	550	2.5-6	16	3.3
10	LS-3-600 SB	220-240	0.07	50/60	600	2.5-6	16	3.6
11	LS-3-650 SB	220-240	0.07	50/60	650	2.5-4.5	10	2.9
12	LS-3-700 SB	220-240	0.07	50/60	700	2.5-4.5	10	3.2

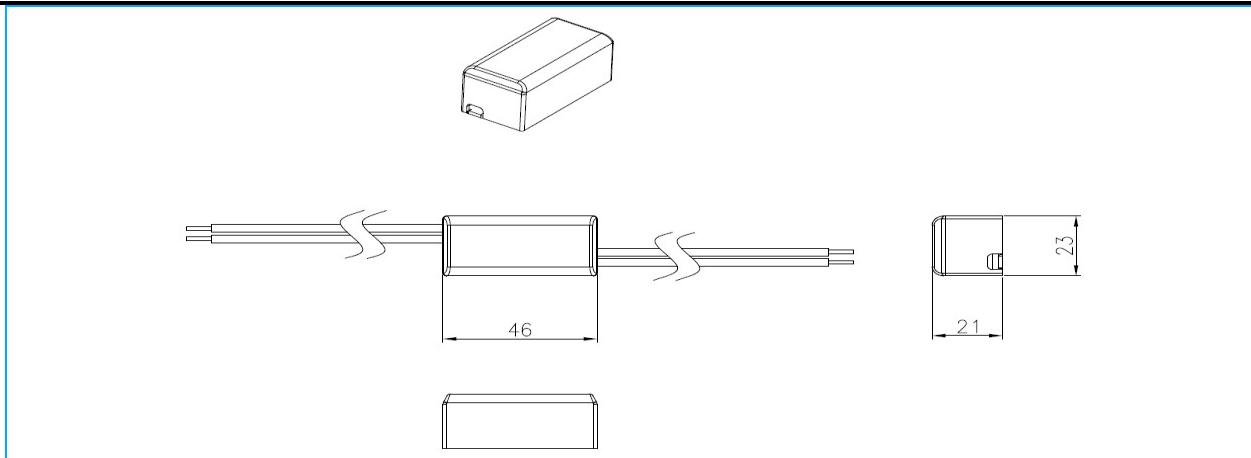
#### Wiring diagram



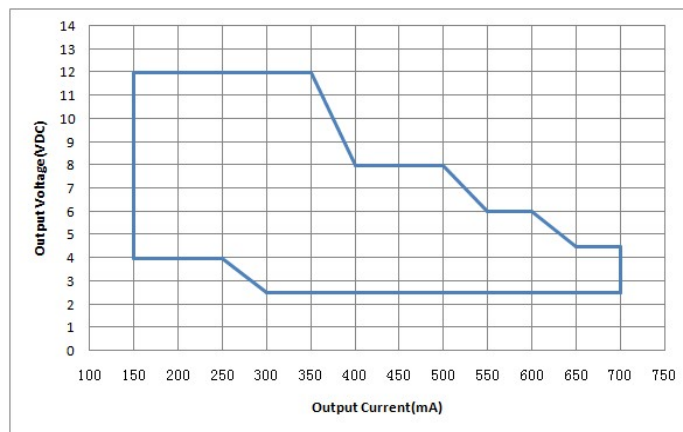
#### 2D diagram

### 3W Constant Current -LS Series

LS-3-XXX SB



#### ■ Operating window



— Operating window 100%