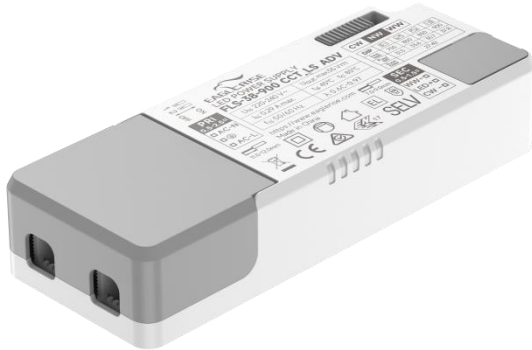


## 30W Constant Current CCT power supply



■ Approve



### Features

- Class II, SELV, independent
- Input Voltage: 220-240VAC
- Protections: SCP/OLP/OVP
- Power Factor: 0.95
- Efficiency: 88%
- 5 years warranty
- IP20

### Applications

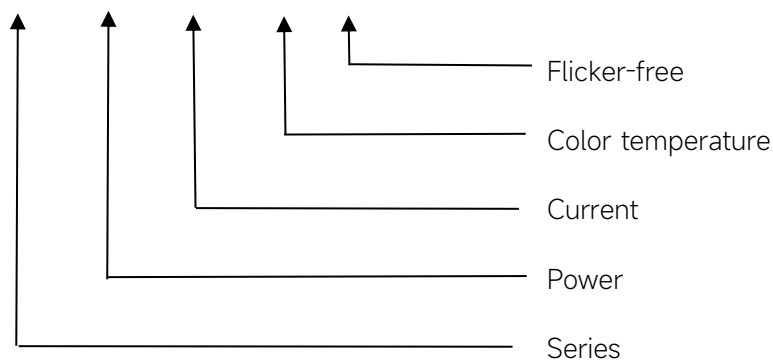
LED panel

### ◆ Description

FLS-30-700 CCT LS ADV is a 30W constant current LED driver with 500-700mA output current and a forward voltage range from 27 to 42Vdc. The output current is adjustable by DIP Switch. With its dimensions from 133.5 x 50 x 26 mm it is easy to integrate in LED panel products. To ensure trouble-free operation, protection is provided against output short circuit and over Load.

### ◆ Model cod

#### FLS-30-700 CCT LS ADV



## ◆ Specification

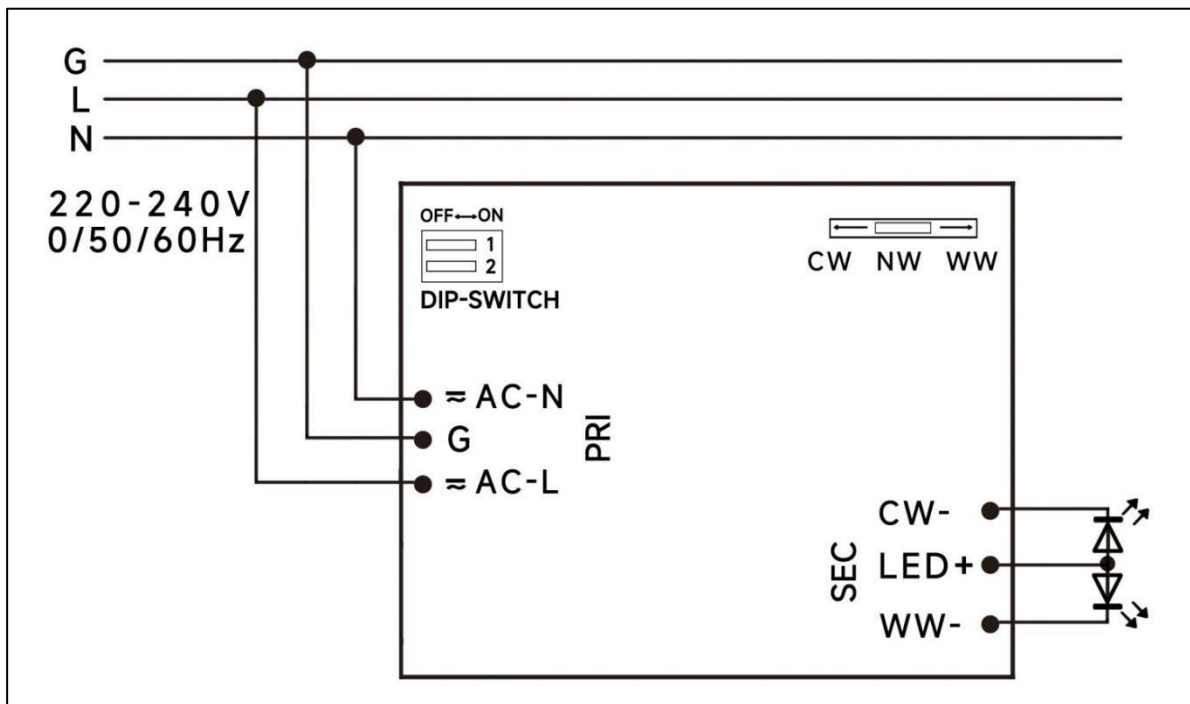
	Constant Current (mA)	550mA	600mA	650mA	700mA
Output	Voltage Range(VDC)	27-42V			
	Unload voltage Max.(VDC)	55VDC			
	Current Accuracy	±5%			
	Output HF current ripple(≥1KHz)	±4%			
	Output LF current ripple(≤120Hz)	±3%			
	SVM	≤0.01			
	Pst	≤0.5			
	Efficiency(Typ.)	88%			
	Input	Rated input voltage(VAC)	220-240VAC		
Range of input voltage(VAC)		198-264VAC			
Frequency(Hz)		50/60 Hz			
Displacement factor		≥0.9			
Power Factor		0.95			
Input Current max		220mA			
Start-up time		< 0.5S			
No Load Power		≤0.5W			
Standby Power		≤0.5W			
THD (Typ.)		10%			
Protection	Over Load Protection	103-120%			
		YES/Auto Resume			
	Over Voltage Protection	55VDC			
YES/Auto Resume					
Short circuit Protection	YES/Auto Resume				
Environment	Operating Temperature	-25°C~+45°C			
	Humidity	20%-90%RH			
	Tc	75°C			
	Storage Temperature	-40°C~+80°C			
	Life time	> 50000h@Tc=75°C			
Surface	Dimension	133.5X50X26mm			
standards	EN 61547; EN 61347-1,EN 61347-2-13; IEC 61347-1,IEC 61347-2-13; EN 62384; EN 615471				
Others	ErP	EU 2019/2020			
	RoHS	RoHS (2011/65/EU) (EU)2015/863			
Note	1.All parameters NOT specially mentioned are measured at 230VAC input , full load and 25°C of ambient temperature. 2.Ripple & Noise are measured at 20MHz of bandwidth by using a 300mm twisted pair-wire terminated with a 0.1uF & 47 uF parallel capacitor. 3.The DC input for this product is only used for emergency lighting and applies to functional and safety requirements, EMC is not considered.				

## ◆ Parameter

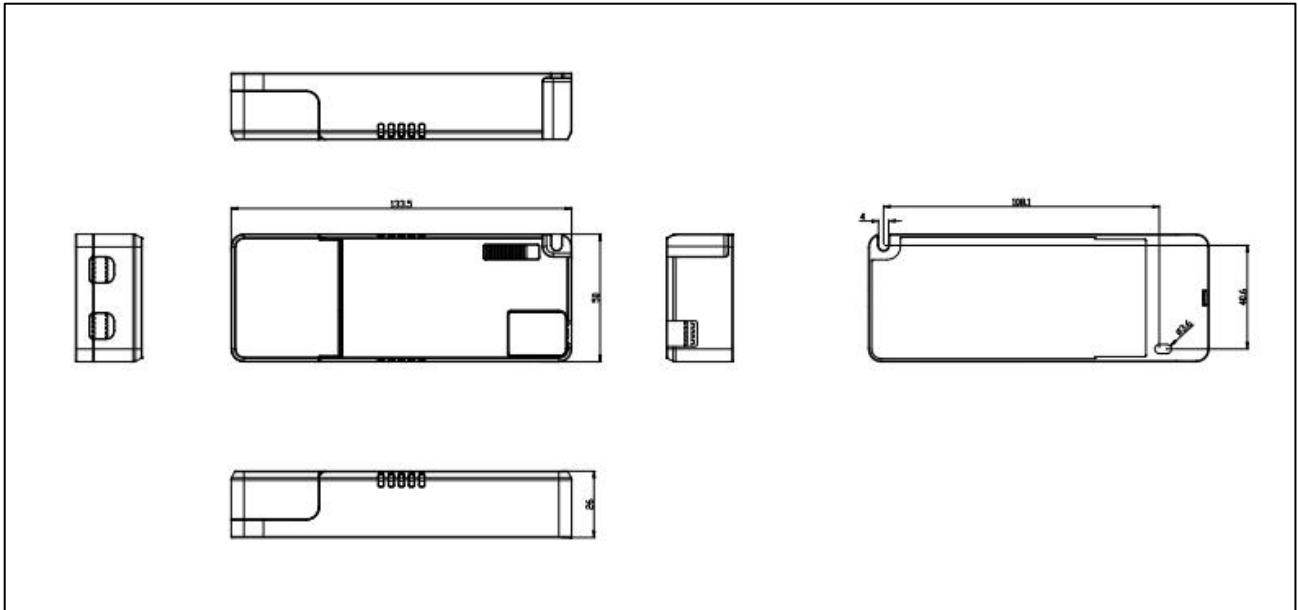
Number	Output				Switch position	
	Current (mA)	Voltage (VDC)	Voltage No load (VDC)	Power (W)	1	2
1	550mA	27-42VDC	55	23.1	--	--
2	600mA			25.2	ON	--
3	650mA			27.3	--	ON
*4	700mA			29.4	ON	ON

\* Factory default

## ◆ Wiring diagram



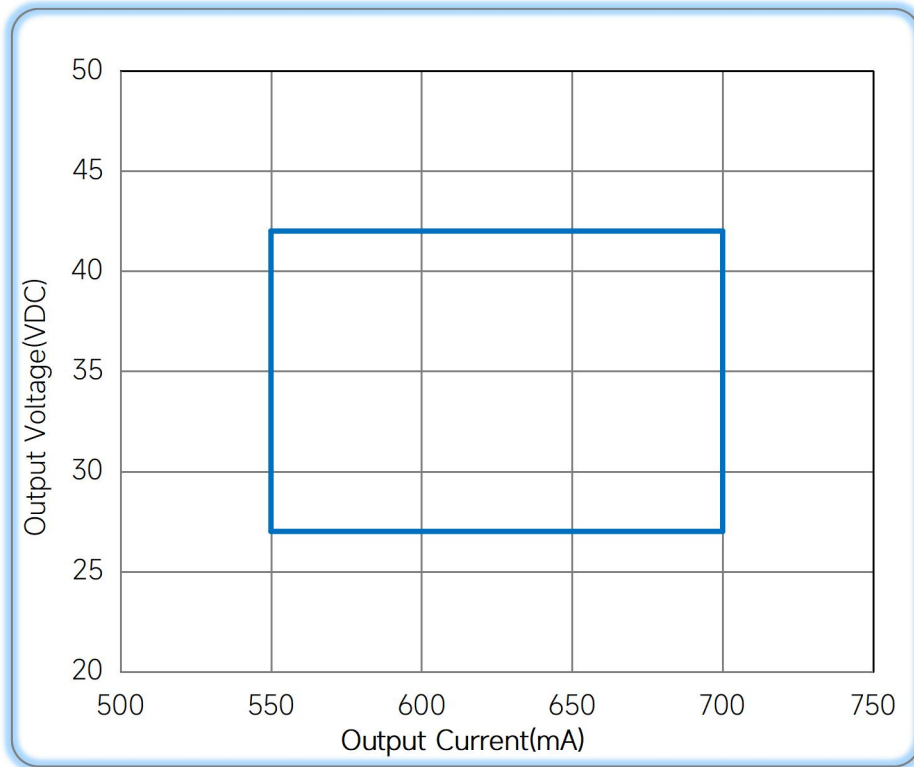
### ◆ 2D diagram



### ◆ Wiring & Connections

Specification item		Value (Unit )
Input	Input wire cross-section	0.5...1.5 mm <sup>2</sup>
	Input wire gauge.	16...20 AWG
	Input wire strip length	7...9mm
Output	Output wire cross-section	0.5...1.5 mm <sup>2</sup>
	Output wire gauge.	16...20 AWG
	Output wire strip length	7...9mm

◆ **Operating window**



— Operating window 100%

◆ **Revision Updates**

ITEM	BEFORE	AFTER	VERSION	DATE
Initial			A	2022/05/15

Tel: +86-0757-86256822, +86-0757-86256831

E-mail: sales@eaglerise.com

Website : <https://lighting.eaglerise.com>



EAGLERISE



Manual