



Item	Value	Remark	
Nominal voltage	220–240V		
Nominal frequency	50–60Hz		
AC voltage range	198–264V		
DC voltage range (start)	NA		
DC voltage range (operation)	NA		
Nominal current	90mA		
Total Harmonic Distortion (THD)	< 20%	Full load @230VAC	
Power factor	0.9C-0.95	Full load @230VAC	
Displacement factor	0.9C-0.95	Full load @230VAC	
Input	Efficiency		
	G6LT15W300/350LR-Z	84% (Typ.)	Full load @230VAC
	G6LT15W500/700LR-Z	80% (Typ.)	Full load @230VAC
	No-load power	NA	
	Stand-by power	NA	
	Protection class	II	Suitable for class I and II luminaires
	Inrush current	10A / 40us	
	Max.units per circuit breaker	Type B , 10A MCB	44
		Type B , 16A MCB	71
		Type C , 10A MCB	56
Type C , 16A MCB		89	
Earth leakage current	NA		
Output	Nominal voltage range		
	G6LT15W300LR-Z	26-43Vdc	
	G6LT15W350LR-Z	26-43Vdc	
	G6LT15W500LR-Z	18-30Vdc	
	G6LT15W700LR-Z	13-21Vdc	
	Maximum voltage		
	G6LT15W300LR-Z	60Vdc	
	G6LT15W350LR-Z	60Vdc	
	G6LT15W500LR-Z	45Vdc	
	G6LT15W700LR-Z	35Vdc	

	Item	Value	Remark
Output	Nominal current range		
	G6LT15W300LR-Z	300mA	
	G6LT15W350LR-Z	350mA	
	G6LT15W500LR-Z	500mA	
	G6LT15W700LR-Z	700mA	
	Current accuracy	± 5%	Full load @230VAC
	Typical output LF current ripple	± 5%	Low Frequency<120Hz
	Starting time	< 0.5S	Full load @230VAC
	SVM	≤ 0.4	Full load @230VAC
	P <sub>stLM</sub>	≤ 1	Full load @230VAC
Dimming	Nominal power range		
	G6LT15W300LR-Z	7.8-12.9W	
	G6LT15W350LR-Z	9.1-15W	
	G6LT15W500LR-Z	9-15W	
	G6LT15W700LR-Z	9.1-14.7W	
Maximum power	15W		
Dimming	Dimming control	Trailing Edge	
	Dimming technique	Amplitude	
	PWM frequency	NA	
	Dimming range	10-100%	
	Lowest dimming current	NA	
	Galvanic isolation	NA	
Environment	Ambient temperature range t <sub>a</sub>		
	G6LT15W300/350/500LR-Z	-20°C - +50°C	
	G6LT15W700LR-Z	-20°C - +45°C	
	Maximum case temperature t <sub>c</sub>	85°C	bottom
	Max. case temp. in fault condition	110°C	When operating under fault conditions, the temperature of the enclosure at any location should not exceed 110 °C
	Storage temperature range	-25°C - +85°C	
	Relative humidity	10% - 85%	
	Surge transient protection	1 kV	L/N
	Environmental rating	Indoor	
	IP rating	IP20	
	Mains switching cycles	> 100,000	
	Expected lifetime		
	G6LT15W300/350/500LR-Z	> 50,000 h, t <sub>c</sub> 85 °C @ t <sub>a</sub> 50 °C > 100,000 h, t <sub>c</sub> 75 °C @ t <sub>a</sub> 40 °C	0.2 % / 1,000 h failure rate 0.1 % / 1,000 h failure rate
G6LT15W700LR-Z	> 50,000 h, t <sub>c</sub> 85 °C @ t <sub>a</sub> 45 °C > 100,000 h, t <sub>c</sub> 75 °C @ t <sub>a</sub> 35 °C	0.2 % / 1,000 h failure rate 0.1 % / 1,000 h failure rate	
Packing	Gross weight/Carton	14.3 kg	
	Net weight/Carton	13.4 kg	
	Pcs/Carton	224 PCS	
	Dimension/Carton	385(L)*310(W)*260(H)mm	
<b>Protections</b>			
Short-circuit Protection	Auto recovery		
Open-circuit Protection	Auto recovery		
Overload Protection	Auto recovery		

**Conformity & Standards**

Safety standard:	EN 61347-1, EN 61347-2-13, EN 62493
Performance:	EN 62384
EMC standard:	EN 55015, EN 61000-3-2, EN 61000-3-3, EN 61547

**Cable information****PRI**

Cable cross-section	0.5-1.5□/AWG 20-16
Stripping	6mm
Pull test cable type	H03VV(H2)-F 2x0,75-1,0 mm <sup>2</sup> ,H05VV(H2)-F 2x0,75-1,0 mm <sup>2</sup>

**SEC**

Cable cross-section	0.5-1.5□/AWG 20-16
Stripping	6mm

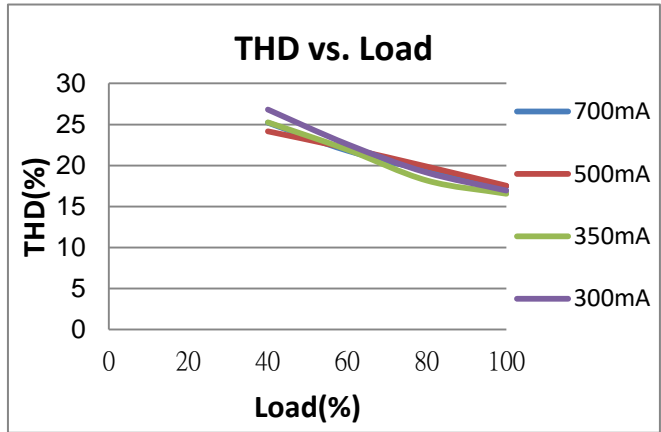
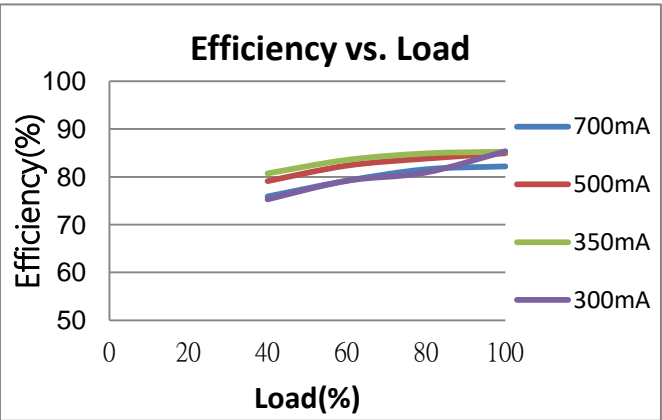
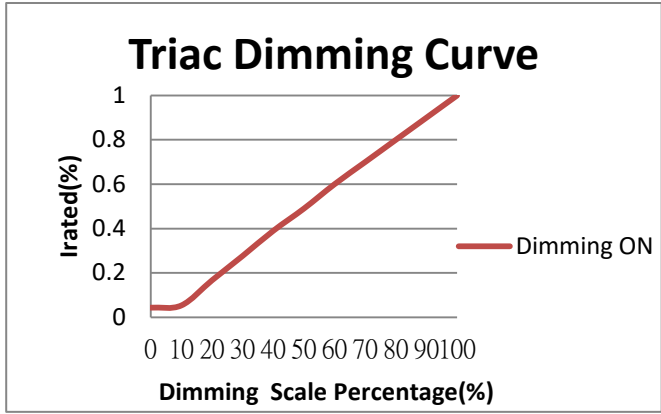
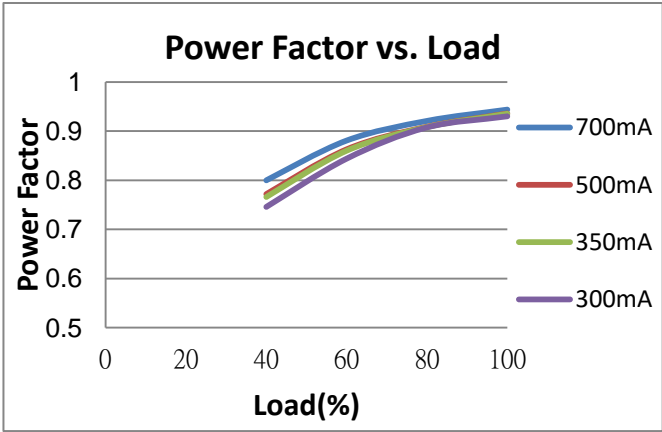
**Terminal information****PRI**-Screw type**SEC**-Screw type

\* If not mentioned, all the test conditions are based on full load at 230VAC input (for 220-240 VAC input).

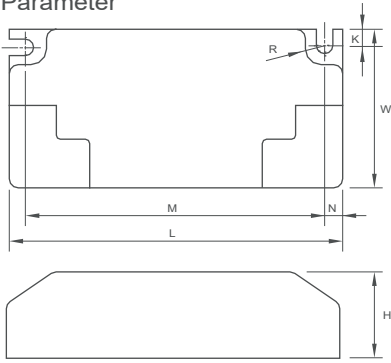
\*Subject to change without notice, HEP guarantees all products perform functionally well\*

**Trailing Edge Dimmer list approved by HEP**

Manufacturer	Model	Q'ty of parallelconnection
Philips	SED-200A	9
Merten/Schneider	SBD315RC	12
Etman	ETM327	13
Etman	ETM329	13
Merten	SBD200LED	13
AU	P3	12
Busch	6513 U-102	13
Busch	6523 UR-103	13
Busch	6523 U-102	9
Niko	310-0190X	12
JUNG	LB-Management	13
CASAMBI	CBU-TED	5



**Physical  
Parameter**



L : 85 mm    H : 22 mm  
M : 76.4 mm    K : 4.0 mm  
N : 4.6 mm    R : 2.1 mm  
W : 40.4 mm

Tolerance :  $\geq \pm 1$  mm

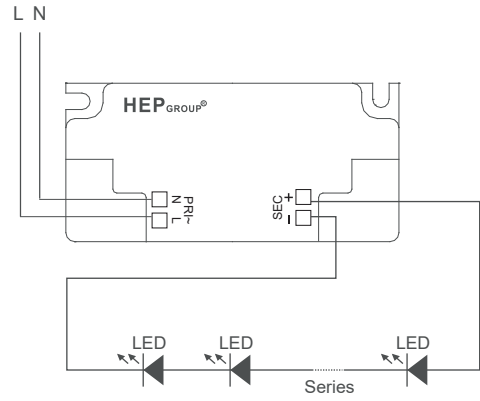
Terminal Block : PRI : Screw Type  
SEC : Screw Type

Housing Material : Polycarbonate

Soldering : Lead-Free, Comply With RoHS

Label : Surface Print

**Wiring Diagram**



The length of wire from output to luminaire should be less than 2M