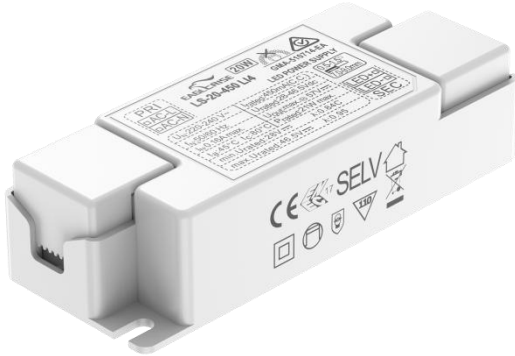


## 20W Constant Current power supply



■ Approve



### Features

- Class II, SELV, independent
- Input Voltage 220-240VAC
- Protections: SCP/OLP/OVP
- Power Factor : 0.95
- Efficiency  $\geq 85\%$
- 5 years warranty

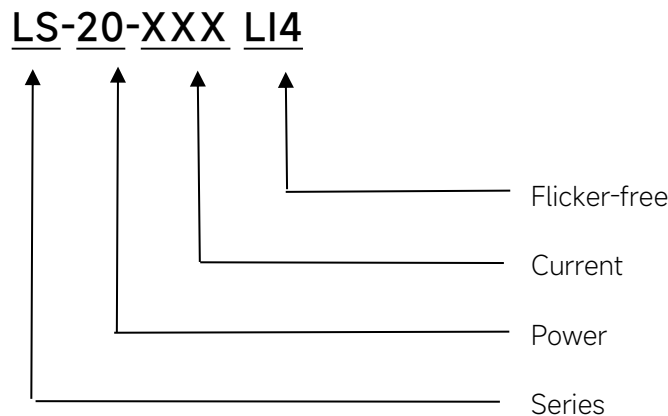
### Applications

- LED panel, LED down light
- LED spot light

### ◆ Description

LS-20-XXX LI4 is a 20W constant current LED driver that operates from 176-264Vac input with 350mA to 700mA output current. With it's compact dimensions from 100 x 38 x 25mm it is easy to integrate in LED Panel, spot and down light products. To ensure trouble-free operation, protection is provided against output short circuit and over Load.

### ◆ Model code



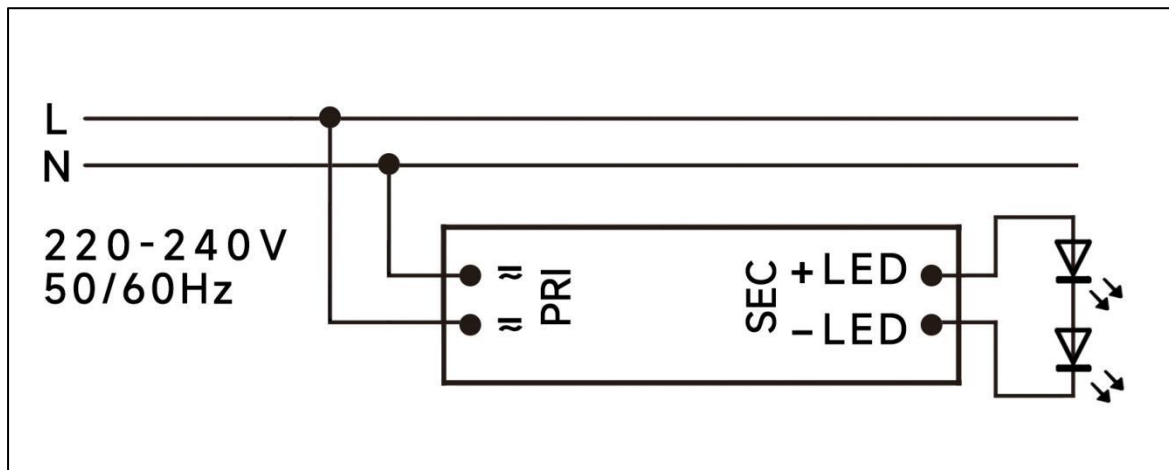
## ◆ Specification

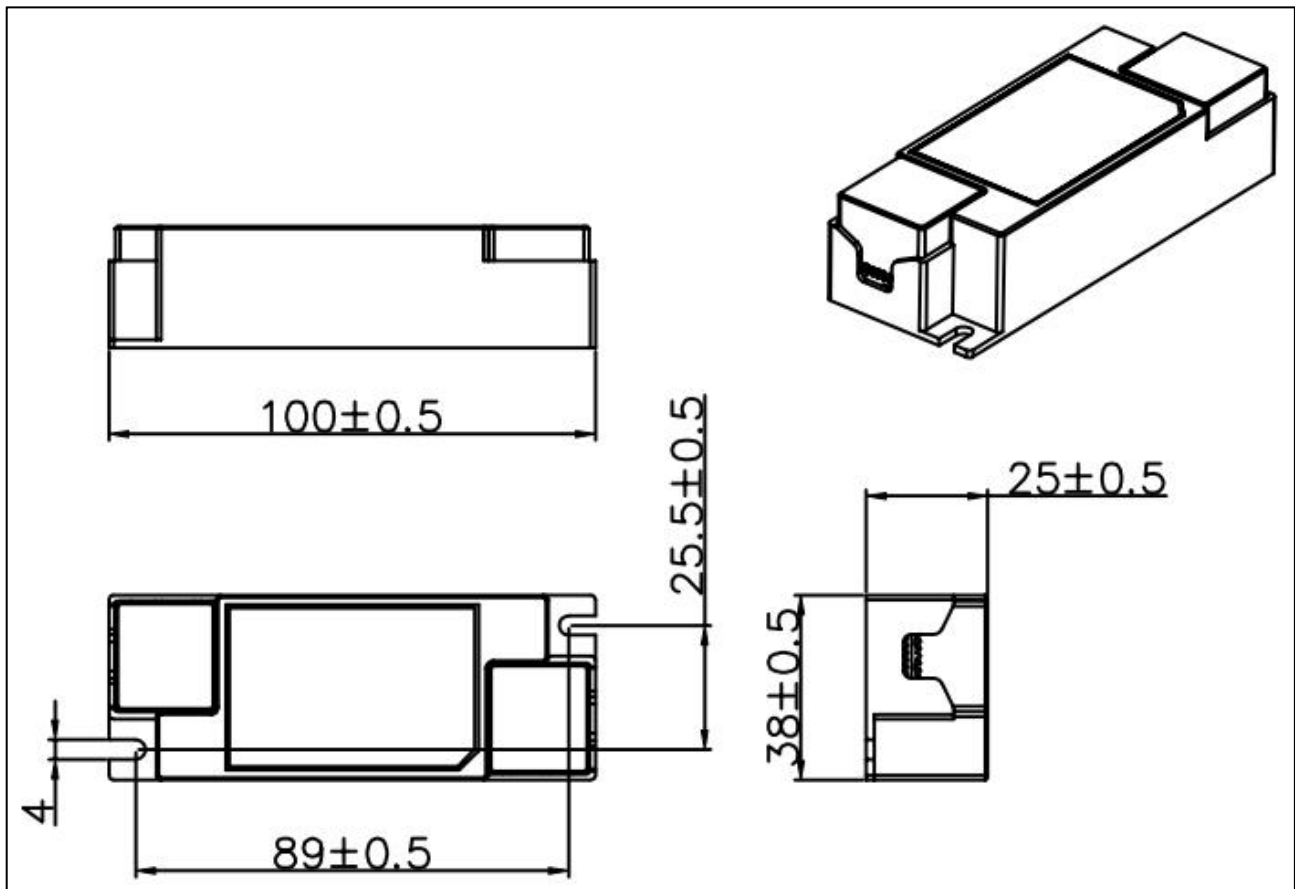
Output	Constant Current	350mA	450mA	500mA	...	700mA
	Voltage Range	30-50VDC	28-46.5VDC	25-42VDC	...	18-30VDC
	Unload voltage Max.	60VDC	57VDC	50VDC	...	40VDC
	Current Accuracy	±5%				
	Output HF current ripple(≥1KHz)	±5%				
	Output LF current ripple(≤120Hz)	±5%				
	SVM	≤0.4				
	P <sub>st</sub>	≤1				
	Efficiency(Typ.)	85%				
Input	Rated input voltage	220-240VAC				
	Range of input voltage	176-264VAC				
	Rated input voltage(DC)	176-280VDC				
	Frequency(Hz)	0/50/60 Hz				
	Displacement factor	≥0.7				
	Power Factor	0.95				
	Input Current max	0.16A MAX				
	Start-up time	< 0.5S				
	No Load Power	≤0.5W				
	THD (Typ.)	< 20%				
Protection	Over Load Protection	103-120%				
		YES/Auto Resume				
	Over Voltage Protection	> 60VDC	> 57VDC	> 50VDC	...	> 40VDC
	YES/Auto Resume					
	Short circuit Protection YES/Auto Resume					
Environment	Operating Temperature	-20°C~+45°C				
	Humidity	20%-90%RH				
	T <sub>c</sub>	80°C				
	Storage Temperature	-25°C~+60°C				
	Life time	> 50000h@T <sub>c</sub> =70°C,230VAC				
Surface	Dimension	100X38X25(LXWXH)mm				
standards	EN 61347-1; EN61347-2-13; EN62384					
Others	ErP	EU 2019/2020				
	RoHS	RoHS (2011/65/EU) (EU)2015/863				
Note	1.All parameters NOT specially mentioned are measured at 230VAC input , full load and 25°C of ambient temperature. 2.Ripple & Noise are measured at 20MHz of bandwidth by using a 300mm twisted pair-wire terminated with a 0.1uF & 47 uF parallel capacitor.					

### ◆ Model list

Number	Model number	Input			Output			
		Voltage (VAC)	Current (A)	Frequency (Hz)	Current (mA)	Voltage (VDC)	Voltage No load (VDC)	Power (W)
1	LS-20-350 LI4	220-240	0.16	50/60	350	30-50	60	17.5
2	LS-20-450 LI4				450	28-46.5	57	
3	LS-20-500 LI4				500	25-42	50	
4	LS-20-550 LI4				550	23-38	50	
5	LS-20-600 LI4				600	21-35	45	
6	LS-20-700 LI4				700	18-30	40	

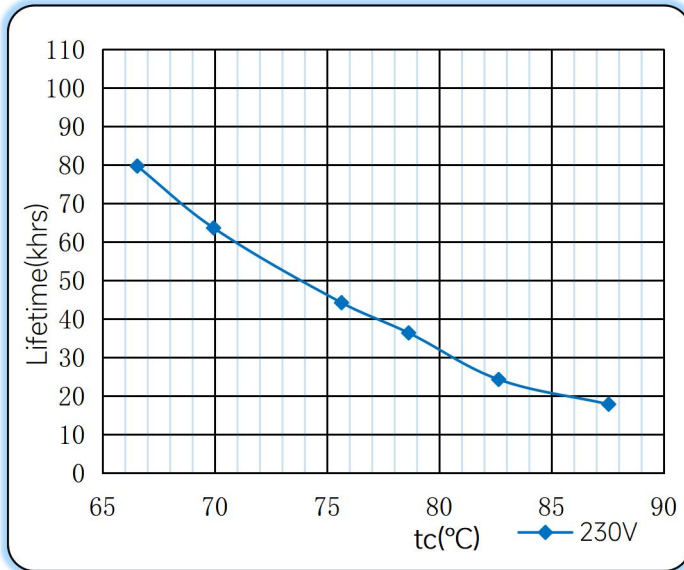
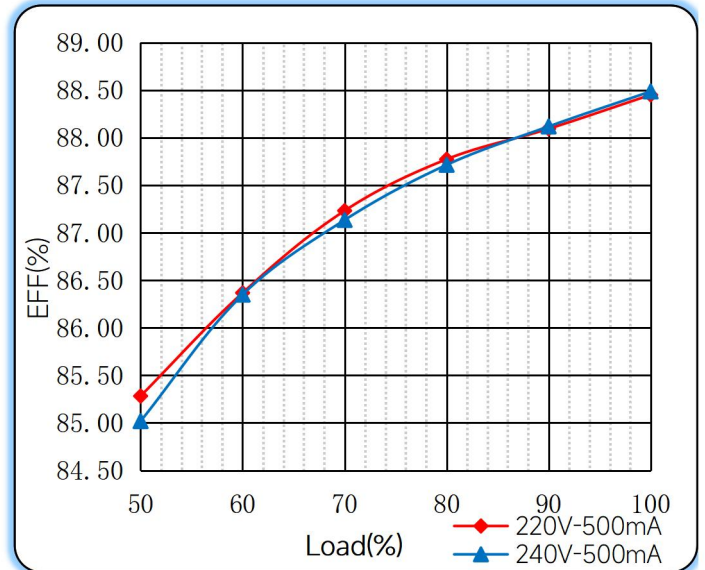
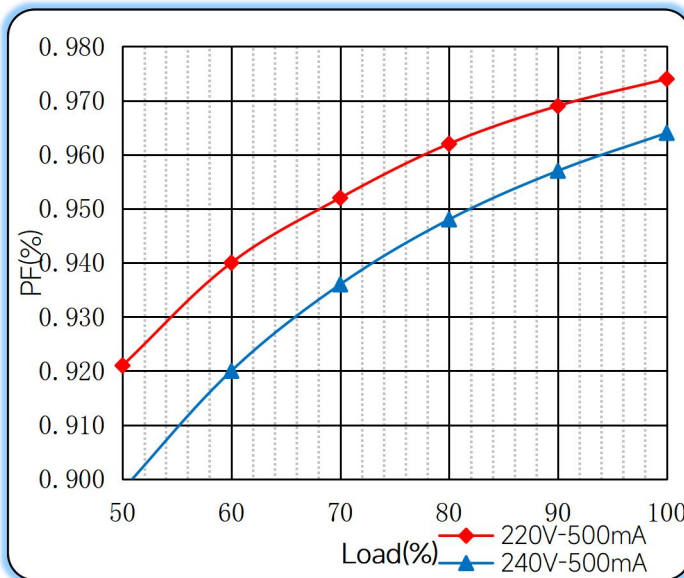
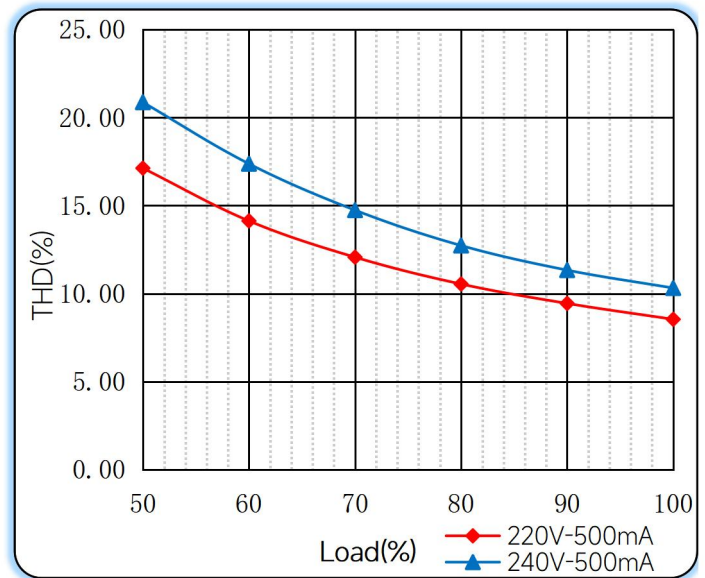
### ◆ Wiring diagram



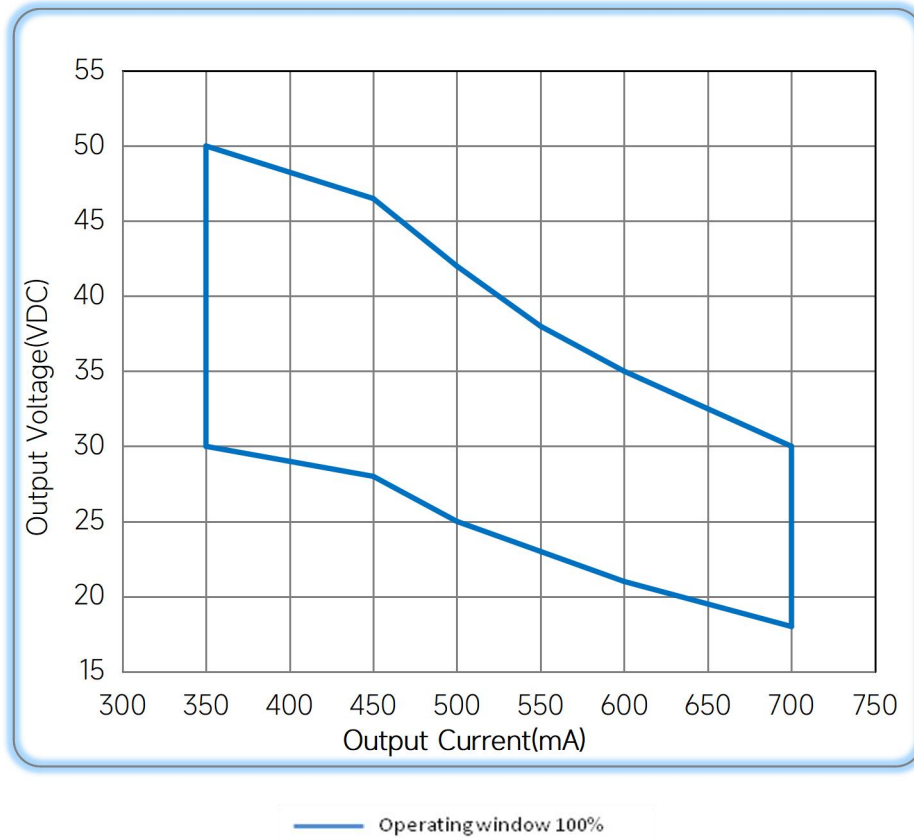
**◆ 2D diagram**

**◆ Wiring & Connections**

Specification item		Value (Unit )
Input	Input wire cross-section	0.5...1.5 mm <sup>2</sup>
	Input wire gauge.	16...20 AWG
	Input wire strip length	7...9mm
Output	Output wire cross-section	0.5...1.5 mm <sup>2</sup>
	Output wire gauge.	16...20 AWG
	Output wire strip length	7...9mm

### ◆ Curve for LS-20-500 LI4, I<sub>o</sub>=500mA

**Lifetime vs. Temperature Curve**

**Efficiency vs. Load**

**Power Factor Characteristics**

**THD vs. Load**


### ◆ Operating window



### ◆ Revision Updates

ITEM	BEFORE	AFTER	VERSION	DATE
Initial			A	2022/05/15

Tel: +86-0757-86256822, +86-0757-86256831

E-mail: sales@eaglerise.com

Website : <https://lighting.eaglerise.com>



EAGLERISE



Manual