

Driver LC 30W 350/500/700mA fixC SR SNC2

essence series

**Product description**

- _ Independent driver with strain-relief housing
- _ Max. output power 30 W
- _ Output current 350, 500 or 700 mA
- _ For luminaires with M and MM as per EN 60598, VDE 0710 and VDE 0711
- _ Temperature protection as per EN 61347-2-13 C5e
- _ Nominal life-time up to 50,000 h
- _ 5-year guarantee

Properties

- _ Casing: polycarbonate, white
- _ Type of protection IP20
- _ Push-in terminals
- _ 2 separate strain relief parts for input and output cables with highly robust clamps

Functions

- _ Overload protection
- _ Short-circuit protection
- _ No-load protection
- _ No output current overshoot at mains on/off
- _ Burst protection voltage 1 kV
- _ Surge protection voltage 1 kV (L to N)
- _ Surge protection voltage 2 kV (L/N to earth)

Typical applications

- _ For spot light and downlight in retail and hospitality applications
- _ For panel light and area light in office and education application

Website

<http://www.tridonic.com/87500757>



Spotlights



Downlights



Linear



Area



Floor | Wall



Free-standing



Street



Decorative

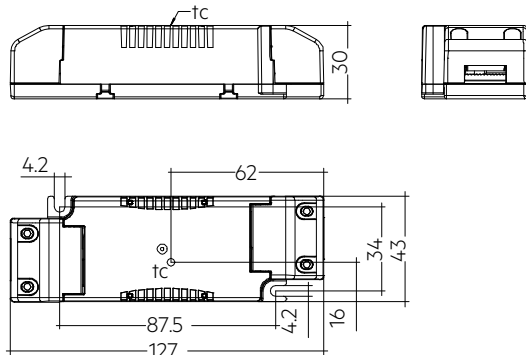


High bay

Driver LC 30W 350/500/700mA fixC SR SNC2

essence series

The complete data sheet for this product is available in the Downloads section.



Ordering data

Type	Article number	Packaging, carton	Packaging, low volume	Packaging, high volume	Weight per pc.
LC 30/700/43 fixC SR SNC2	87500757	14 pc(s).	364 pc(s).	2,548 pc(s).	0.111 kg

Technical data

Rated supply voltage	220 – 240 V
AC voltage range	198 – 264 V
Mains frequency	50 / 60 Hz
Overvoltage protection	320 V AC, 1 h
Leakage current (at 230 V, 50 Hz, full load)	< 450 μ A
THD (at 230 V, 50 Hz, full load)	\leq 20 %
THD (at 230 V, 50 Hz, min. load)	\leq 20 %
Output current tolerance ^①	\pm 7.5 %
Typical output LF current ripple at full load ^②	\pm 25 %
Starting time (at 230 V, 50 Hz, full load)	\leq 0.5 s
Turn off time (at 230 V, 50 Hz, full load)	\leq 0.5 s
Hold on time at power failure (output)	0 s
Ambient temperature t_a	-20 ... +50 °C
Ambient temperature t_a (at life-time 50,000 h)	40 °C
Storage temperature t_s	-40 ... +80 °C
Dimensions L x W x H	127 x 43 x 30 mm

Approval marks



Standards

EN55015, EN 60598-1, EN 61000-3-2, EN 61000-3-3, EN 61347-1, EN 61347-2-13, EN 61547, EN 62384

Specific technical data

Type	Output current ^①	Input current (at 230 V, 50 Hz, full load)	Max. input power	Typ. power consumption (at 230 V, 50 Hz, full)	Output power range	λ at full load	Efficiency λ at full load	λ at min. load	Efficiency λ at min. load	Min. forward voltage	Max. forward voltage	Max. output voltage (U-OUT)	Max. output peak current ^③ at full load	Max. output peak current ^④ at min. load	Max. casing temperature t_c
LC 30/700/43 fixC SR SNC2	700 mA	0.15 A	34 W	33 W	18.9 – 30.1 W	0.95C	89 %	0.9C	87 %	27 V	43 V	60 V	980 mA	1,130 mA	80 °C

① Output current is mean value.

② Typical value at full load, depend on load's V-I character.

③ Test result at 230 V, 50 Hz.

④ The trend between min. and full load is linear and depend on load's V-I character.