

**Driver LC 15/20W 350/500mA fixC SC ADV**

ADVANCED series



With strain-relief

**Product description**

- \_ Fixed output LED Driver
- \_ Can be either used built-in or independent with clip-on strain-relief (see accessory)
- \_ Constant current LED Driver
- \_ Output current 350 or 500 mA
- \_ Max. output power 15.4 or 22 W
- \_ For luminaires of protection class I and protection class II
- \_ Temperature protection as per EN 61347-2-13 C5e
- \_ Independent LED Driver with cable clamps
- \_ Nominal life-time up to 50,000 h
- \_ 5-year guarantee

**Properties**

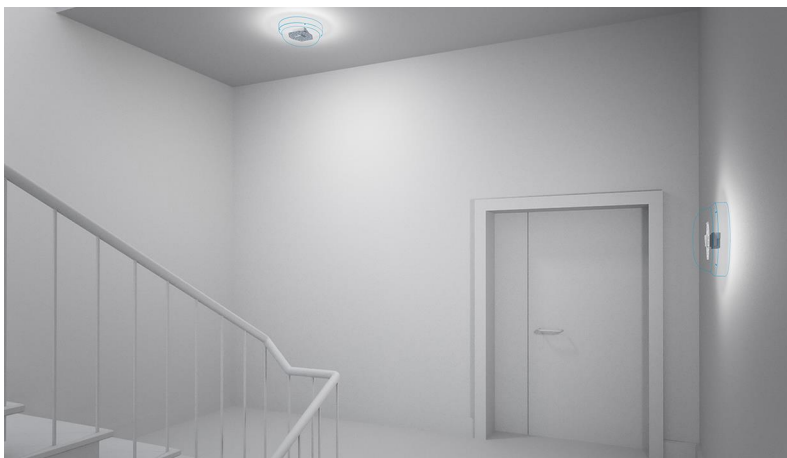
- \_ Casing: polycarbonate, white
- \_ Type of protection IP20

**Functions**

- \_ Overtemperature protection
- \_ Overload protection
- \_ Short-circuit protection
- \_ No-load protection
- \_ Burst protection voltage 1 kV
- \_ Surge protection voltage 1 kV (L to N)
- \_ Surge protection voltage 2 kV (L/N to earth)

**Website**

<http://www.tridonic.com/87500449>



Spotlights



Downlights



Linear



Area



Floor | Wall



Free-standing



Street



Decorative

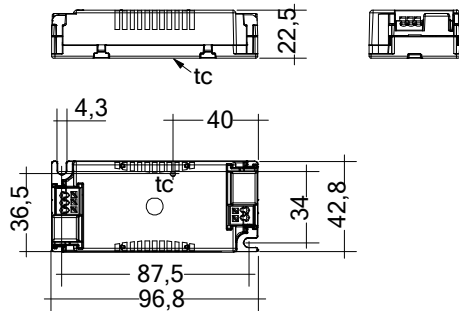


High bay

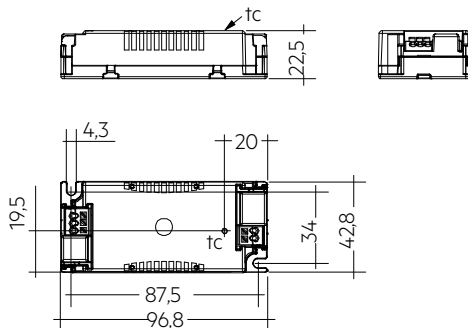
**Driver LC 15/20W 350/500mA fixC SC ADV**

ADVANCED series

The complete data sheet for this product is available in the Downloads section.



LC 15W 350mA fixC SC ADV



LC 20W 500mA fixC SC ADV

**Ordering data**

Type	Article number	Packaging, carton	Packaging, low volume	Packaging, high volume	Weight per pc.
LC 20W 500mA fixC SC ADV	87500449	15 pc(s).	555 pc(s).	4,995 pc(s).	0.079 kg

**Technical data**

Rated supply voltage	220 – 240 V
AC voltage range	198 – 264 V
Mains frequency	50 / 60 Hz
Overvoltage protection	320 V AC, 1 h
THD (at 230 V, 50 Hz, full load)	< 15 %
Output current tolerance <sup>①</sup>	± 7,5 %
Typ. current ripple (at 230 V, 50 Hz, full load)	± 15 %
Max. output voltage (U-OUT)	60 V
Turn on time (at 230 V, 50 Hz, full load)	≤ 0,5 s
Turn off time (at 230 V, 50 Hz, full load)	≤ 0,2 s
Hold on time at power failure (output)	0 s
Ambient temperature $t_a$	-20 ... +50 °C
Ambient temperature $t_a$ (at life-time 50,000 h)	40 °C
Storage temperature $t_s$	-40 ... +80 °C
Dimensions L x W x H	97 x 43 x 22,5 mm
Dimensions with strain-relief L x W x H	146 x 43 x 22,5 mm

**Approval marks****Standards**

EN 55015, EN 61000-3-2, EN 61000-3-3, EN 61347-1, EN 61347-2-13, EN 61547, EN 62384

**Specific technical data**

Type	Output current <sup>①</sup>	Input current (at 230 V, 50 Hz, full load)	Input power (at 230 V, 50 Hz, full load)	Output power range	$\lambda$ at full load	Efficiency at full load	$\lambda$ at min. load	Efficiency at min. load <sup>②</sup>	Min. forward voltage	Max. forward voltage	Max. output peak current <sup>③</sup>	Max. casing temperature $t_c$
LC 20W 500mA fixC SC ADV	500 mA	0.120 A	26.0 W	10.7 – 22.0 W	0.9C	83 %	0.85C	77 %	21.4 V	44 V	619 mA	85 °C

① Output current is mean value.

② Test result at 230 V, 50 Hz.

③ The trend between min. and full load is linear.