

# LM561B – 5630 Middle Power LED



## Introduction

### Features

- Beam Angle: 120°
- Precondition : JEDEC Level 2a
- Dimension : 5.6 x 3.0 x 0.8 mm
- ESD withstand Voltage : up to  $\pm 5$ KV [HBM]

## SAMSUNG ELECTRONICS

95, Samsung2-Ro, Giheung-Gu,  
Yongin-City, Gyeonggi-Do 446-711, KOREA

## Contents

|  |       |    |
|--|-------|----|
| 1. Product Code Information            | ----- | 3  |
| 2. Characteristics                     | ----- | 11 |
| 3. Typical Characteristics Graph       | ----- | 13 |
| 4. Outline Drawing & Dimension         | ----- | 21 |
| 5. Reliability Test Items & Conditions | ----- | 22 |
| 6. Solder Conditions                   | ----- | 23 |
| 7. Tape & Reel                         | ----- | 24 |
| 8. Label Structure                     | ----- | 26 |
| 9. Packing Structure                   | ----- | 27 |
| 10. Precaution For Use                 | ----- | 29 |
| 11. Hazard Substance Analysis Report   | ----- | 31 |
| Revision History                       | ----- | 53 |

# 1. Product Code Information

## 1) Luminous Flux Bins ( $T_s = 25^\circ\text{C}$ )

| Nominal CCT | Product Code       | Flux Rank   | Sorting Condition $I_m @65\text{mA}$ |
|-------------|--------------------|-------------|--------------------------------------|
|             |                    |             | Flux Range ( $\Phi_v, I_m$ )         |
| 2700K       | SPMWHT541MD5W★W☆SB | S2          | 26.0 ~ 28.0                          |
|             |                    | S3          | 28.0 ~ 30.0                          |
|             | SPMWHT541MD5W★W☆SC | S3          | 28.0 ~ 30.0                          |
|             |                    | S4          | 30.0 ~ 32.0                          |
|             | SPMWHT541MD5W★W☆SD | S4          | 30.0 ~ 32.0                          |
| S5          |                    | 32.0 ~ 34.0 |                                      |
| 3000K       | SPMWHT541MD5W★V☆SB | S2          | 26.5 ~ 28.5                          |
|             |                    | S3          | 28.5 ~ 30.5                          |
|             | SPMWHT541MD5W★V☆SC | S3          | 28.5 ~ 30.5                          |
|             |                    | S4          | 30.5 ~ 32.5                          |
|             | SPMWHT541MD5W★V☆SD | S4          | 30.5 ~ 32.5                          |
| S5          |                    | 32.5 ~ 34.5 |                                      |
| 3500K       | SPMWHT541MD5W★U☆SB | S2          | 27.0 ~ 29.0                          |
|             |                    | S3          | 29.0 ~ 31.0                          |
|             | SPMWHT541MD5W★U☆SC | S3          | 29.0 ~ 31.0                          |
|             |                    | S4          | 31.0 ~ 33.0                          |
|             | SPMWHT541MD5W★U☆SD | S4          | 31.0 ~ 33.0                          |
| S5          |                    | 33.0 ~ 35.0 |                                      |
| 4000K       | SPMWHT541MD5W★T☆SB | S2          | 28.0 ~ 30.0                          |
|             |                    | S3          | 30.0 ~ 32.0                          |
|             | SPMWHT541MD5W★T☆SC | S3          | 30.0 ~ 32.0                          |
|             |                    | S4          | 32.0 ~ 34.0                          |
|             | SPMWHT541MD5W★T☆SD | S4          | 32.0 ~ 34.0                          |
| S5          |                    | 34.0 ~ 36.0 |                                      |
| 5000K       | SPMWHT541MD5W★R☆SB | S2          | 29.0 ~ 31.0                          |
|             |                    | S3          | 31.0 ~ 33.0                          |
|             | SPMWHT541MD5W★R☆SC | S3          | 31.0 ~ 33.0                          |
|             |                    | S4          | 33.0 ~ 35.0                          |
|             | SPMWHT541MD5W★R☆SD | S4          | 33.0 ~ 35.0                          |
| S5          |                    | 35.0 ~ 37.0 |                                      |



### 1) Luminous Flux Bins ( $T_s = 25^\circ\text{C}$ )

| Nominal CCT | Product Code       | Flux Rank | Sorting Condition $I_m$ @65mA |
|-------------|--------------------|-----------|-------------------------------|
|             |                    |           | Flux Range ( $\Phi_v$ , lm)   |
| 5700K       | SPMWHT541MD5W★Q☆SB | S2        | 28.5 ~ 30.5                   |
|             |                    | S3        | 30.5 ~ 32.5                   |
|             | SPMWHT541MD5W★Q☆SC | S3        | 30.5 ~ 32.5                   |
|             |                    | S4        | 32.5 ~ 34.5                   |
|             | SPMWHT541MD5W★Q☆SD | S4        | 32.5 ~ 34.5                   |
|             |                    | S5        | 34.5 ~ 36.5                   |
| 6500K       | SPMWHT541MD5W★P☆SB | S2        | 28.0 ~ 30.0                   |
|             |                    | S3        | 30.0 ~ 32.0                   |
|             | SPMWHT541MD5W★P☆SC | S3        | 30.0 ~ 32.0                   |
|             |                    | S4        | 32.0 ~ 34.0                   |
|             | SPMWHT541MD5W★P☆SD | S4        | 32.0 ~ 34.0                   |
|             |                    | S5        | 34.0 ~ 36.0                   |

**Notes:**

- 1) SAMSUNG ELECTRONICS maintains a tolerance of  $\pm 5\%$  on Luminous Flux measurements.
- 2) "★" can be "WA(VF 2.7~3.2V step 0.1V + 2500EA), WK(VF 2.7~3.2V step 0.1V + 10,000EA)"
- 3) Warm white : "☆" can be "0"(Whole Bin), "H"(Half Bin) or "M"(Quarter Bin) of the color binning.  
Cool white : "☆" can be "0"(Whole Bin) or "M"(Quarter Bin) of the color binning.

## 2) Color Bins ( $T_s = 25^\circ\text{C}$ )

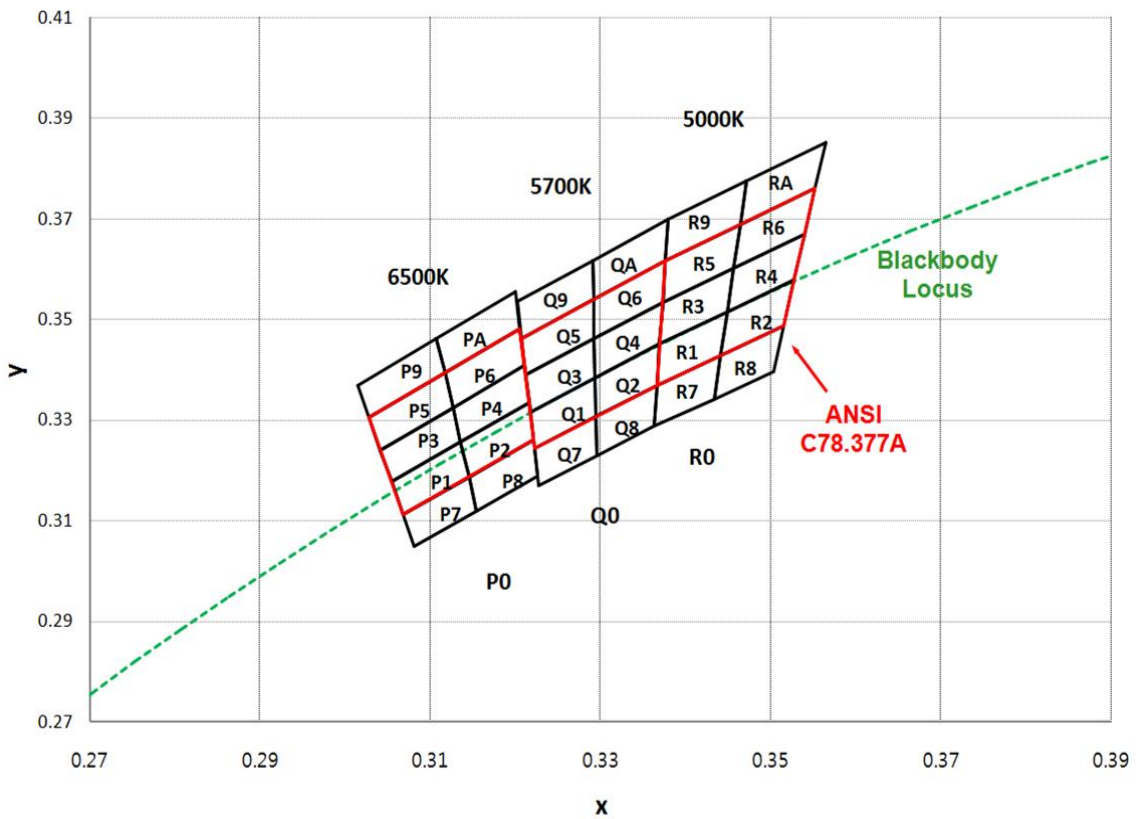
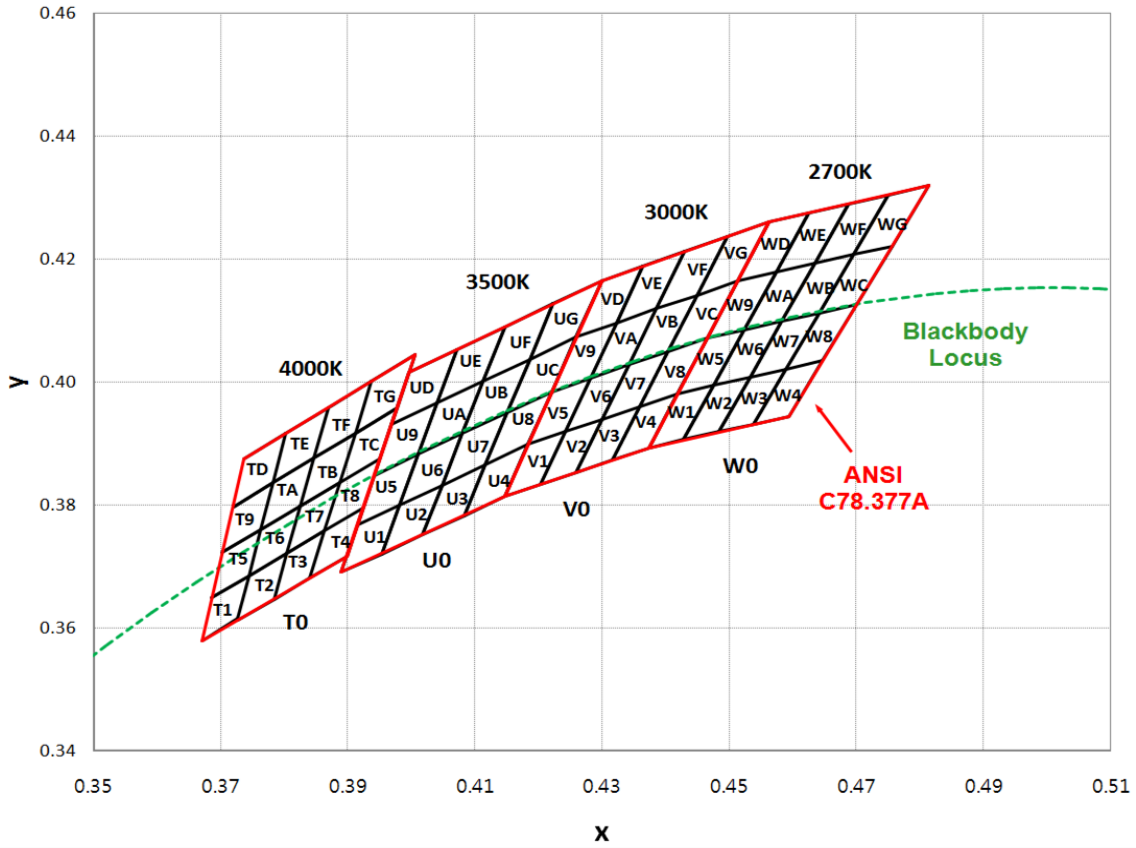
### 1) Color Binning

| Nominal CCT | Product Code   | Color Rank          | Chromaticity Bins   |
|-------------|--|---------------------|---|
| 2700K       | SPMWHT541MD5W★W0SB<br>SPMWHT541MD5W★W0SC<br>SPMWHT541MD5W★W0SD | W0<br>(Whole bin)   | W1, W2, W3, W4, W5, W6, W7, W8,<br>W9, WA, WB, WC, WD, WE, WF, WG |
|             | SPMWHT541MD5W★WHSB<br>SPMWHT541MD5W★WHSC<br>SPMWHT541MD5W★WHSD | WH<br>(Half bin)    | W5, W6, W7, W8, W9, WA, WB, WC                                    |
|             | SPMWHT541MD5W★WMSB<br>SPMWHT541MD5W★WMSC<br>SPMWHT541MD5W★WMSD | WM<br>(Quarter bin) | W6, W7, WA, WB  |
| 3000K       | SPMWHT541MD5W★V0SB<br>SPMWHT541MD5W★V0SC<br>SPMWHT541MD5W★V0SD | V0<br>(Whole bin)   | V1, V2, V3, V4, V5, V6, V7, V8,<br>V9, VA, VB, VC, VD, VE, VF, VG |
|             | SPMWHT541MD5W★VHSB<br>SPMWHT541MD5W★VHSC<br>SPMWHT541MD5W★VHSD | VH<br>(Half bin)    | V5, V6, V7, V8, V9, VA, VB, VC                                    |
|             | SPMWHT541MD5W★VMSB<br>SPMWHT541MD5W★VMSC<br>SPMWHT541MD5W★VMSD | VM<br>(Quarter bin) | V6, V7, VA, VB  |
| 3500K       | SPMWHT541MD5W★U0SB<br>SPMWHT541MD5W★U0SC<br>SPMWHT541MD5W★U0SD | U0<br>(Whole bin)   | U1, U2, U3, U4, U5, U6, U7, U8,<br>U9, UA, UB, UC, UD, UE, UF, UG |
|             | SPMWHT541MD5W★UHSB<br>SPMWHT541MD5W★UHSC<br>SPMWHT541MD5W★UHSD | UH<br>(Half bin)    | U5, U6, U7, U8, U9, UA, UB, UC                                    |
|             | SPMWHT541MD5W★UMSB<br>SPMWHT541MD5W★UMSC<br>SPMWHT541MD5W★UMSD | UM<br>(Quarter bin) | U6, U7, UA, UB  |

### 1) Color Binning (Continued)

| Nominal CCT | Product Code   | Color Rank          | Chromaticity Bins   |
|-------------|--|---------------------|---|
| 4000K       | SPMWHT541MD5W★T0SB<br>SPMWHT541MD5W★T0SC<br>SPMWHT541MD5W★T0SD | T0<br>(Whole bin)   | T1, T2, T3, T4, T5, T6, T7, T8,<br>T9, TA, TB, TC, TD, TE, TF, TG |
|             | SPMWHT541MD5W★THSB<br>SPMWHT541MD5W★THSC<br>SPMWHT541MD5W★THSD | TH<br>(Half bin)    | T5, T6, T7, T8, T9, TA, TB, TC                                    |
|             | SPMWHT541MD5W★TMSB<br>SPMWHT541MD5W★TMSC<br>SPMWHT541MD5W★TMSD | TM<br>(Quarter bin) | T6, T7, TA, TB  |
| 5000K       | SPMWHT541MD5W★R0SB<br>SPMWHT541MD5W★R0SC<br>SPMWHT541MD5W★R0SD | R0<br>(Whole bin)   | R1, R2, R3, R4, R5<br>R6, R7, R8, R9 ,RA                          |
|             | SPMWHT541MD5W★RMSB<br>SPMWHT541MD5W★RMSC<br>SPMWHT541MD5W★RMSD | RM<br>(Quarter bin) | R1, R2, R3, R4, R5, R6  |
| 5700K       | SPMWHT541MD5W★Q0SB<br>SPMWHT541MD5W★Q0SC<br>SPMWHT541MD5W★Q0SD | Q0<br>(Whole bin)   | Q1, Q2, Q3, Q4, Q5<br>Q6, Q7, Q8, Q9, QA                          |
|             | SPMWHT541MD5W★QMSB<br>SPMWHT541MD5W★QMSC<br>SPMWHT541MD5W★QMSD | QM<br>(Quarter bin) | Q1, Q2, Q3, Q4, Q5, Q6  |
| 6500K       | SPMWHT541MD5W★P0SB<br>SPMWHT541MD5W★P0SC<br>SPMWHT541MD5W★P0SD | P0<br>(Whole bin)   | P1, P2, P3, P4, P5<br>P6, P7, P8, P9, PA                          |
|             | SPMWHT541MD5W★PMSB<br>SPMWHT541MD5W★PMSC<br>SPMWHT541MD5W★PMSD | PM<br>(Quarter bin) | P1, P2, P3, P4, P5, P6  |

## 2) Chromaticity Region & Coordinates





## 2) Chromaticity Region & Coordinates (Continued)

| Region         | CIE X  | CIE Y  | Region | CIE X  | CIE Y  |
|----------------|--------|--------|--------|--------|--------|
| W rank (2700K) |        |        |        |        |        |
| W1             | 0.4373 | 0.3893 | W9     | 0.4465 | 0.4071 |
|                | 0.4418 | 0.3981 |        | 0.4513 | 0.4164 |
|                | 0.4475 | 0.3994 |        | 0.4573 | 0.4178 |
|                | 0.4428 | 0.3906 |        | 0.4523 | 0.4085 |
| W2             | 0.4428 | 0.3906 | WA     | 0.4523 | 0.4085 |
|                | 0.4475 | 0.3994 |        | 0.4573 | 0.4178 |
|                | 0.4532 | 0.4008 |        | 0.4634 | 0.4193 |
|                | 0.4483 | 0.3919 |        | 0.4582 | 0.4099 |
| W3             | 0.4483 | 0.3919 | WB     | 0.4582 | 0.4099 |
|                | 0.4532 | 0.4008 |        | 0.4634 | 0.4193 |
|                | 0.4589 | 0.4021 |        | 0.4695 | 0.4207 |
|                | 0.4538 | 0.3931 |        | 0.4641 | 0.4112 |
| W4             | 0.4538 | 0.3931 | WC     | 0.4641 | 0.4112 |
|                | 0.4589 | 0.4021 |        | 0.4695 | 0.4207 |
|                | 0.4646 | 0.4034 |        | 0.4756 | 0.4221 |
|                | 0.4593 | 0.3944 |        | 0.4700 | 0.4126 |
| W5             | 0.4418 | 0.3981 | WD     | 0.4513 | 0.4164 |
|                | 0.4465 | 0.4071 |        | 0.4562 | 0.4260 |
|                | 0.4523 | 0.4085 |        | 0.4624 | 0.4274 |
|                | 0.4475 | 0.3994 |        | 0.4573 | 0.4178 |
| W6             | 0.4475 | 0.3994 | WE     | 0.4573 | 0.4178 |
|                | 0.4523 | 0.4085 |        | 0.4624 | 0.4274 |
|                | 0.4582 | 0.4099 |        | 0.4687 | 0.4289 |
|                | 0.4532 | 0.4008 |        | 0.4634 | 0.4193 |
| W7             | 0.4532 | 0.4008 | WF     | 0.4634 | 0.4193 |
|                | 0.4582 | 0.4099 |        | 0.4687 | 0.4289 |
|                | 0.4641 | 0.4112 |        | 0.4750 | 0.4304 |
|                | 0.4589 | 0.4021 |        | 0.4695 | 0.4207 |
| W8             | 0.4589 | 0.4021 | WG     | 0.4695 | 0.4207 |
|                | 0.4641 | 0.4112 |        | 0.4750 | 0.4304 |
|                | 0.4700 | 0.4126 |        | 0.4813 | 0.4319 |
|                | 0.4646 | 0.4034 |        | 0.4756 | 0.4221 |

| Region         | CIE X  | CIE Y  | Region | CIE X  | CIE Y  |
|----------------|--------|--------|--------|--------|--------|
| V rank (3000K) |        |        |        |        |        |
| V1             | 0.4147 | 0.3814 | V9     | 0.4221 | 0.3984 |
|                | 0.4183 | 0.3898 |        | 0.4259 | 0.4073 |
|                | 0.4242 | 0.3919 |        | 0.4322 | 0.4096 |
|                | 0.4203 | 0.3833 |        | 0.4281 | 0.4006 |
| V2             | 0.4203 | 0.3833 | VA     | 0.4281 | 0.4006 |
|                | 0.4242 | 0.3919 |        | 0.4322 | 0.4096 |
|                | 0.4300 | 0.3939 |        | 0.4385 | 0.4119 |
|                | 0.4259 | 0.3853 |        | 0.4342 | 0.4028 |
| V3             | 0.4259 | 0.3853 | VB     | 0.4342 | 0.4028 |
|                | 0.4300 | 0.3939 |        | 0.4385 | 0.4119 |
|                | 0.4359 | 0.3960 |        | 0.4449 | 0.4141 |
|                | 0.4316 | 0.3873 |        | 0.4403 | 0.4049 |
| V4             | 0.4316 | 0.3873 | VC     | 0.4403 | 0.4049 |
|                | 0.4359 | 0.3960 |        | 0.4449 | 0.4141 |
|                | 0.4418 | 0.3981 |        | 0.4513 | 0.4164 |
|                | 0.4373 | 0.3893 |        | 0.4465 | 0.4071 |
| V5             | 0.4183 | 0.3898 | VD     | 0.4259 | 0.4073 |
|                | 0.4221 | 0.3984 |        | 0.4299 | 0.4165 |
|                | 0.4281 | 0.4006 |        | 0.4364 | 0.4188 |
|                | 0.4242 | 0.3919 |        | 0.4322 | 0.4096 |
| V6             | 0.4242 | 0.3919 | VE     | 0.4322 | 0.4096 |
|                | 0.4281 | 0.4006 |        | 0.4364 | 0.4188 |
|                | 0.4342 | 0.4028 |        | 0.4430 | 0.4212 |
|                | 0.4300 | 0.3939 |        | 0.4385 | 0.4119 |
| V7             | 0.4300 | 0.3939 | VF     | 0.4385 | 0.4119 |
|                | 0.4342 | 0.4028 |        | 0.4430 | 0.4212 |
|                | 0.4403 | 0.4049 |        | 0.4496 | 0.4236 |
|                | 0.4359 | 0.3960 |        | 0.4449 | 0.4141 |
| V8             | 0.4359 | 0.3960 | VG     | 0.4449 | 0.4141 |
|                | 0.4403 | 0.4049 |        | 0.4496 | 0.4236 |
|                | 0.4465 | 0.4071 |        | 0.4562 | 0.4260 |
|                | 0.4418 | 0.3981 |        | 0.4513 | 0.4164 |



## 2) Chromaticity Region & Coordinates (Continued)

| Region         | CIE X  | CIE Y  | Region | CIE X  | CIE Y  |
|----------------|--------|--------|--------|--------|--------|
| U rank (3500K) |        |        |        |        |        |
| U1             | 0.3889 | 0.3690 | U9     | 0.3941 | 0.3848 |
|                | 0.3915 | 0.3768 |        | 0.3968 | 0.3930 |
|                | 0.3981 | 0.3800 |        | 0.4040 | 0.3966 |
|                | 0.3953 | 0.3720 |        | 0.4010 | 0.3882 |
| U2             | 0.3953 | 0.3720 | UA     | 0.4010 | 0.3882 |
|                | 0.3981 | 0.3800 |        | 0.4040 | 0.3966 |
|                | 0.4048 | 0.3832 |        | 0.4113 | 0.4001 |
|                | 0.4017 | 0.3751 |        | 0.4080 | 0.3916 |
| U3             | 0.4017 | 0.3751 | UB     | 0.4080 | 0.3916 |
|                | 0.4048 | 0.3832 |        | 0.4113 | 0.4001 |
|                | 0.4116 | 0.3865 |        | 0.4186 | 0.4037 |
|                | 0.4082 | 0.3782 |        | 0.4150 | 0.3950 |
| U4             | 0.4082 | 0.3782 | UC     | 0.4150 | 0.3950 |
|                | 0.4116 | 0.3865 |        | 0.4186 | 0.4037 |
|                | 0.4183 | 0.3898 |        | 0.4259 | 0.4073 |
|                | 0.4147 | 0.3814 |        | 0.4221 | 0.3984 |
| U5             | 0.3915 | 0.3768 | UD     | 0.3968 | 0.3930 |
|                | 0.3941 | 0.3848 |        | 0.3996 | 0.4015 |
|                | 0.4010 | 0.3882 |        | 0.4071 | 0.4052 |
|                | 0.3981 | 0.3800 |        | 0.4040 | 0.3966 |
| U6             | 0.3981 | 0.3800 | UE     | 0.4040 | 0.3966 |
|                | 0.4010 | 0.3882 |        | 0.4071 | 0.4052 |
|                | 0.4080 | 0.3916 |        | 0.4146 | 0.4089 |
|                | 0.4048 | 0.3832 |        | 0.4113 | 0.4001 |
| U7             | 0.4048 | 0.3832 | UF     | 0.4113 | 0.4001 |
|                | 0.4080 | 0.3916 |        | 0.4146 | 0.4089 |
|                | 0.4150 | 0.3950 |        | 0.4222 | 0.4127 |
|                | 0.4116 | 0.3865 |        | 0.4186 | 0.4037 |
| U8             | 0.4116 | 0.3865 | UG     | 0.4186 | 0.4037 |
|                | 0.4150 | 0.3950 |        | 0.4222 | 0.4127 |
|                | 0.4221 | 0.3984 |        | 0.4299 | 0.4165 |
|                | 0.4183 | 0.3898 |        | 0.4259 | 0.4073 |

| Region         | CIE X  | CIE Y  | Region | CIE X  | CIE Y  |
|----------------|--------|--------|--------|--------|--------|
| T rank (4000K) |        |        |        |        |        |
| T1             | 0.367  | 0.3578 | T9     | 0.3702 | 0.3722 |
|                | 0.3726 | 0.3612 |        | 0.3763 | 0.376  |
|                | 0.3744 | 0.3685 |        | 0.3782 | 0.3837 |
|                | 0.3686 | 0.3649 |        | 0.3719 | 0.3797 |
| T2             | 0.3726 | 0.3612 | TA     | 0.3763 | 0.3760 |
|                | 0.3783 | 0.3646 |        | 0.3825 | 0.3798 |
|                | 0.3804 | 0.3721 |        | 0.3847 | 0.3877 |
|                | 0.3744 | 0.3685 |        | 0.3782 | 0.3837 |
| T3             | 0.3783 | 0.3646 | TB     | 0.3825 | 0.3798 |
|                | 0.3840 | 0.3681 |        | 0.3887 | 0.3836 |
|                | 0.3863 | 0.3758 |        | 0.3912 | 0.3917 |
|                | 0.3804 | 0.3721 |        | 0.3847 | 0.3877 |
| T4             | 0.384  | 0.3681 | TC     | 0.3887 | 0.3837 |
|                | 0.3898 | 0.3716 |        | 0.395  | 0.3875 |
|                | 0.3924 | 0.3794 |        | 0.3978 | 0.3958 |
|                | 0.3863 | 0.3758 |        | 0.3912 | 0.3917 |
| T5             | 0.3686 | 0.3649 | TD     | 0.3719 | 0.3797 |
|                | 0.3744 | 0.3685 |        | 0.3782 | 0.3837 |
|                | 0.3763 | 0.376  |        | 0.3802 | 0.3916 |
|                | 0.3702 | 0.3722 |        | 0.3736 | 0.3874 |
| T6             | 0.3744 | 0.3685 | TE     | 0.3782 | 0.3837 |
|                | 0.3804 | 0.3721 |        | 0.3847 | 0.3877 |
|                | 0.3825 | 0.3798 |        | 0.3869 | 0.3958 |
|                | 0.3763 | 0.376  |        | 0.3802 | 0.3916 |
| T7             | 0.3804 | 0.3721 | TF     | 0.3847 | 0.3877 |
|                | 0.3863 | 0.3758 |        | 0.3912 | 0.3917 |
|                | 0.3887 | 0.3836 |        | 0.3937 | 0.4001 |
|                | 0.3825 | 0.3798 |        | 0.3869 | 0.3958 |
| T8             | 0.3863 | 0.3758 | TG     | 0.3912 | 0.3917 |
|                | 0.3924 | 0.3794 |        | 0.3978 | 0.3958 |
|                | 0.395  | 0.3875 |        | 0.4006 | 0.4044 |
|                | 0.3887 | 0.3836 |        | 0.3937 | 0.4001 |



## 2) Chromaticity Region & Coordinates (Continued)

| Region         | CIE X  | CIE Y  | Region | CIE X  | CIE Y  |
|----------------|--------|--------|--------|--------|--------|
| R rank (5000K) |        |        |        |        |        |
| R1             | 0.3366 | 0.3369 | R6     | 0.3456 | 0.3601 |
|                | 0.3441 | 0.3428 |        | 0.3539 | 0.3669 |
|                | 0.3449 | 0.3515 |        | 0.3551 | 0.3760 |
|                | 0.3369 | 0.3451 |        | 0.3464 | 0.3688 |
| R2             | 0.3441 | 0.3428 | R7     | 0.3363 | 0.3287 |
|                | 0.3515 | 0.3487 |        | 0.3433 | 0.3341 |
|                | 0.3527 | 0.3578 |        | 0.3441 | 0.3428 |
|                | 0.3449 | 0.3515 |        | 0.3366 | 0.3369 |
| R3             | 0.3369 | 0.3451 | R8     | 0.3433 | 0.3341 |
|                | 0.3449 | 0.3515 |        | 0.3503 | 0.3396 |
|                | 0.3456 | 0.3601 |        | 0.3515 | 0.3487 |
|                | 0.3373 | 0.3534 |        | 0.3441 | 0.3428 |
| R4             | 0.3449 | 0.3515 | R9     | 0.3376 | 0.3616 |
|                | 0.3527 | 0.3578 |        | 0.3464 | 0.3688 |
|                | 0.3539 | 0.3669 |        | 0.3471 | 0.3775 |
|                | 0.3456 | 0.3601 |        | 0.3379 | 0.3698 |
| R5             | 0.3373 | 0.3534 | RA     | 0.3464 | 0.3688 |
|                | 0.3456 | 0.3601 |        | 0.3551 | 0.3760 |
|                | 0.3464 | 0.3688 |        | 0.3564 | 0.3851 |
|                | 0.3376 | 0.3616 |        | 0.3471 | 0.3775 |
| Q rank (5700K) |        |        |        |        |        |
| Q1             | 0.3222 | 0.3243 | Q6     | 0.3292 | 0.3461 |
|                | 0.3294 | 0.3306 |        | 0.3373 | 0.3534 |
|                | 0.3293 | 0.3384 |        | 0.3376 | 0.3616 |
|                | 0.3217 | 0.3316 |        | 0.3292 | 0.3539 |
| Q2             | 0.3294 | 0.3306 | Q7     | 0.3227 | 0.3170 |
|                | 0.3366 | 0.3369 |        | 0.3295 | 0.3228 |
|                | 0.3369 | 0.3451 |        | 0.3294 | 0.3306 |
|                | 0.3293 | 0.3384 |        | 0.3222 | 0.3243 |
| Q3             | 0.3217 | 0.3316 | Q8     | 0.3295 | 0.3228 |
|                | 0.3293 | 0.3384 |        | 0.3363 | 0.3287 |
|                | 0.3292 | 0.3461 |        | 0.3366 | 0.3369 |
|                | 0.3212 | 0.3389 |        | 0.3294 | 0.3306 |
| Q4             | 0.3293 | 0.3384 | Q9     | 0.3207 | 0.3462 |
|                | 0.3369 | 0.3451 |        | 0.3292 | 0.3539 |
|                | 0.3373 | 0.3534 |        | 0.3291 | 0.3617 |
|                | 0.3292 | 0.3461 |        | 0.3202 | 0.3535 |
| Q5             | 0.3212 | 0.3389 | QA     | 0.3292 | 0.3539 |
|                | 0.3292 | 0.3461 |        | 0.3376 | 0.3616 |
|                | 0.3292 | 0.3539 |        | 0.3379 | 0.3698 |
|                | 0.3207 | 0.3462 |        | 0.3291 | 0.3617 |

| Region         | CIE X  | CIE Y  | Region | CIE X  | CIE Y  |
|----------------|--------|--------|--------|--------|--------|
| P rank (6500K) |        |        |        |        |        |
| P1             | 0.3068 | 0.3113 | P6     | 0.3126 | 0.3324 |
|                | 0.3145 | 0.3187 |        | 0.3210 | 0.3408 |
|                | 0.3135 | 0.3256 |        | 0.3205 | 0.3481 |
|                | 0.3055 | 0.3177 |        | 0.3117 | 0.3393 |
| P2             | 0.3145 | 0.3187 | P7     | 0.3081 | 0.3049 |
|                | 0.3221 | 0.3261 |        | 0.3154 | 0.3119 |
|                | 0.3216 | 0.3334 |        | 0.3145 | 0.3187 |
|                | 0.3135 | 0.3256 |        | 0.3068 | 0.3113 |
| P3             | 0.3055 | 0.3177 | P8     | 0.3154 | 0.3119 |
|                | 0.3135 | 0.3256 |        | 0.3226 | 0.3188 |
|                | 0.3126 | 0.3324 |        | 0.3221 | 0.3261 |
|                | 0.3041 | 0.3240 |        | 0.3145 | 0.3187 |
| P4             | 0.3135 | 0.3256 | P9     | 0.3028 | 0.3304 |
|                | 0.3216 | 0.3334 |        | 0.3117 | 0.3393 |
|                | 0.3210 | 0.3408 |        | 0.3107 | 0.3461 |
|                | 0.3126 | 0.3324 |        | 0.3015 | 0.3368 |
| P5             | 0.3041 | 0.3240 | PA     | 0.3117 | 0.3393 |
|                | 0.3126 | 0.3324 |        | 0.3205 | 0.3481 |
|                | 0.3117 | 0.3393 |        | 0.3200 | 0.3554 |
|                | 0.3028 | 0.3304 |        | 0.3107 | 0.3461 |

**Notes:** SAMSUNG ELECTRONICS maintains  $\pm 0.005$  tolerance of Cx, Cy

## 2. Characteristics

### 1) Absolute Maximum Rating

| Item                         | Symbol    | Rating         | Condition                  |
|------------------------------|-----------|----------------|----------------------------|
| Operating temperature range  | $T_{op}$  | -40°C ~ +85°C  | -                          |
| Storage temperature range    | $T_{stg}$ | -40°C ~ +120°C | -                          |
| LED junction temperature     | $T_J$     | 110°C          | -                          |
| Forward Current              | $I_F$     | 180 mA         | -                          |
| Peak Pulsed Forward Current  | $I_{FP}$  | 300 mA         | Duty 1/10 pulse width 10ms |
| Assembly Process Temperature | -         | 260°C, < 10sec | -                          |
| ESD                          | -         | 5kV            | HBM                        |

### 2) Electro-optical Characteristics

| Item  | Unit    | Nominal CCT | Product Code | Rank |      | Min  | Typ  | Max  |
|---|---------|-------------|--------------|------|------|------|------|------|
|   |         |             |              |      |      |      |      |      |
| Forward Voltage <sup>1)</sup> ( $V_F$ )<br>(@65 mA, $T_s = 25^\circ\text{C}$ )  | V       | -           | -            | WA   | AZ   | 2.70 | -    | 2.80 |
|   |         |             |              |      | A1   | 2.80 | -    | 2.90 |
|   |         |             |              |      | A2   | 2.90 | -    | 3.00 |
|   |         |             |              |      | A3   | 3.00 | -    | 3.10 |
|   |         |             |              |      | A4   | 3.10 | -    | 3.20 |
| Luminous Flux <sup>2)</sup> ( $\Phi_v$ )<br>(@65 mA, $T_s = 25^\circ\text{C}$ ) | lm      | 2700K       | *W★W☆SB      | S2   | 26.0 | -    | 28.0 |      |
|   |         |             |              | S3   | 28.0 | -    | 30.0 |      |
|   |         |             |              | S3   | 28.0 | -    | 30.0 |      |
|   |         |             |              | S4   | 30.0 | -    | 32.0 |      |
|   |         |             |              | S4   | 30.0 | -    | 32.0 |      |
|   |         |             |              | S5   | 32.0 | -    | 34.0 |      |
|   |         | 3000K       | *W★V☆SB      | S2   | 26.5 | -    | 28.5 |      |
|   |         |             |              | S3   | 28.5 | -    | 30.5 |      |
|   |         |             |              | S3   | 28.5 | -    | 30.5 |      |
|   |         |             |              | S4   | 30.5 | -    | 32.5 |      |
|   |         |             |              | S4   | 30.5 | -    | 32.5 |      |
|   |         |             |              | S5   | 32.5 | -    | 34.5 |      |
|   |         | 3500K       | *W★U☆SB      | S2   | 27.0 | -    | 29.0 |      |
|   |         |             |              | S3   | 29.0 | -    | 31.0 |      |
|   |         |             |              | S3   | 29.0 | -    | 31.0 |      |
|   |         |             |              | S4   | 31.0 | -    | 33.0 |      |
|   |         |             |              | S4   | 31.0 | -    | 33.0 |      |
|   |         |             |              | S5   | 33.0 | -    | 35.0 |      |
|   |         | 4000K       | *W★T☆SB      | S2   | 28.0 | -    | 30.0 |      |
|   |         |             |              | S3   | 30.0 | -    | 32.0 |      |
|   |         |             |              | S3   | 30.0 | -    | 32.0 |      |
|   |         |             |              | S4   | 32.0 | -    | 34.0 |      |
|   |         |             |              | S4   | 32.0 | -    | 34.0 |      |
|   |         |             |              | S5   | 34.0 | -    | 36.0 |      |
|   |         | 5000K       | *W★R☆SB      | S2   | 29.0 | -    | 31.0 |      |
|   |         |             |              | S3   | 31.0 | -    | 33.0 |      |
|   |         |             |              | S3   | 31.0 | -    | 33.0 |      |
|   |         |             |              | S4   | 33.0 | -    | 35.0 |      |
|   |         |             |              | S4   | 33.0 | -    | 35.0 |      |
|   |         |             |              | S5   | 35.0 | -    | 37.0 |      |
|   |         | 5700K       | *W★Q☆SB      | S2   | 28.5 | -    | 30.5 |      |
|   |         |             |              | S3   | 30.5 | -    | 32.5 |      |
|   |         |             |              | S3   | 30.5 | -    | 32.5 |      |
|   |         |             |              | S4   | 32.5 | -    | 34.5 |      |
|   |         |             |              | S4   | 32.5 | -    | 34.5 |      |
|   |         |             |              | S5   | 34.5 | -    | 36.5 |      |
| 6500K   | *W★P☆SB | S2          | 28.0         | -    | 30.0 |      |      |      |
|   |         | S3          | 30.0         | -    | 32.0 |      |      |      |
|   |         | S3          | 30.0         | -    | 32.0 |      |      |      |
|   |         | S4          | 32.0         | -    | 34.0 |      |      |      |
|   |         | S4          | 32.0         | -    | 34.0 |      |      |      |
|   |         | S5          | 34.0         | -    | 36.0 |      |      |      |



## 2) Electro-optical Characteristics

| Item  | Unit                      | Nominal CCT | Product Code | Rank | Min | Typ | Max |
|---|---------------------------|-------------|--------------|------|-----|-----|-----|
| Reverse Voltage<br>(@5 mA, $T_s = 25^\circ\text{C}$ ) | V                         | -           | -            | -    | 0.7 | -   | 1.2 |
| Color Rendering Index <sup>3)</sup> ( $R_a$ )         | -                         | -           | -            | 5    | 80  | -   | -   |
| Special CRI <sup>4)</sup> (R9)                        | -                         | -           | -            | -    | 0   | -   | -   |
| Thermal resistance<br>(Junction to solder point)      | $^\circ\text{C}/\text{W}$ |             |              |      | -   | 16  | -   |

### Notes:

1)~4) SAMSUNG ELECTRONICS maintains a tolerance of  $V_F:\pm 0.1\text{ V}$ ,  $\Phi_V:\pm 5\%$ ,  $R_a:\pm 3.0$ , R9  $:\pm 6.5$  on measurements

5) " \* " is Product Code of "SPMWHT541MD5"

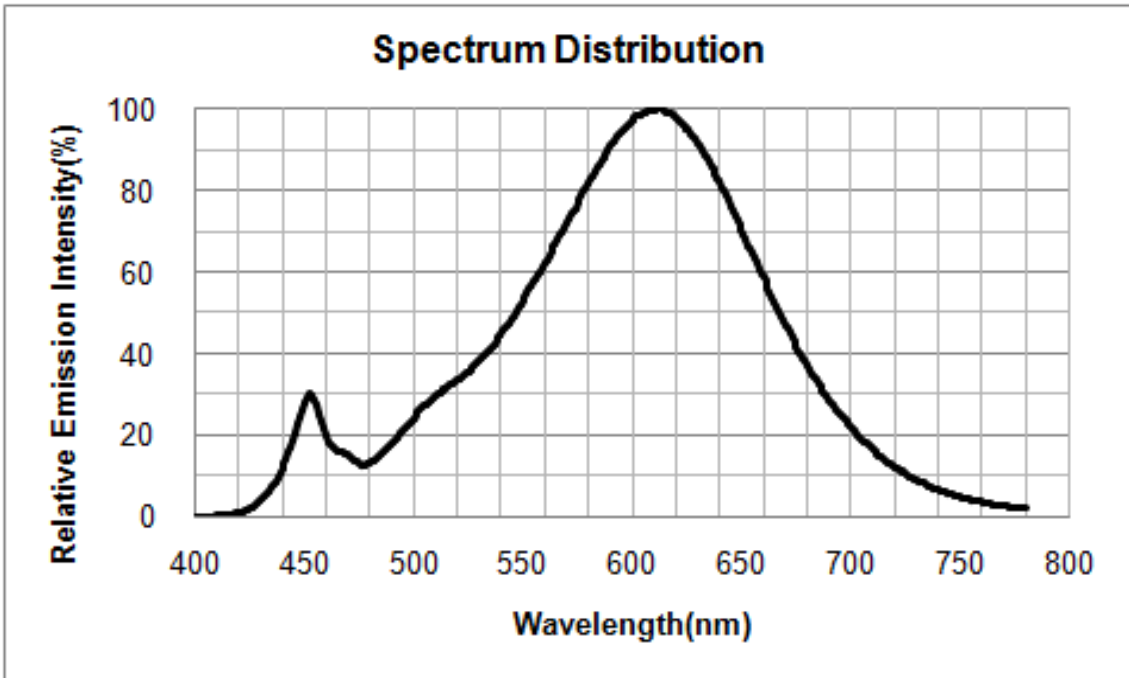
6) "★" can be "WA(VF 2.7~3.2V step 0.1V + 2500EA), WK(VF 2.7~3.2V step 0.1V + 10,000EA)"

7) Warm white : "☆" can be "0"(Whole Bin), "H"(Half Bin) or "M"(Quarter Bin) of the color binning.  
Cool white : "☆" can be "0"(Whole Bin) or "M"(Quarter Bin) of the color binning.

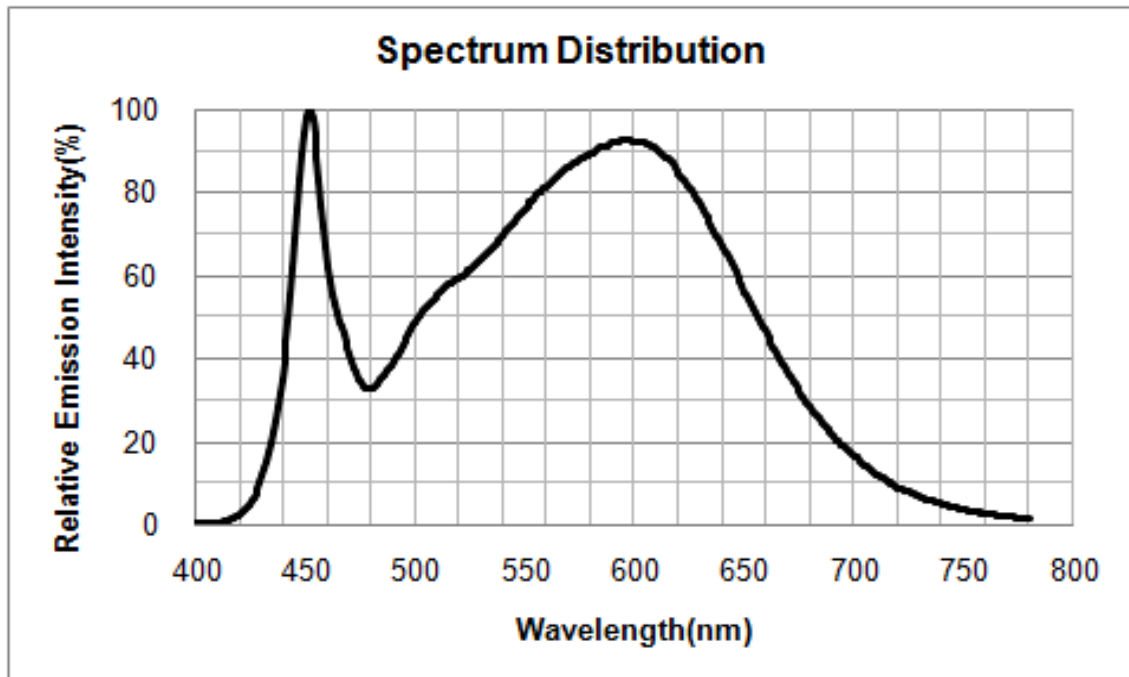
### 3. Typical Characteristics Graph ( $T_s = 25^\circ\text{C}$ )

#### 1) Spectrum Distribution

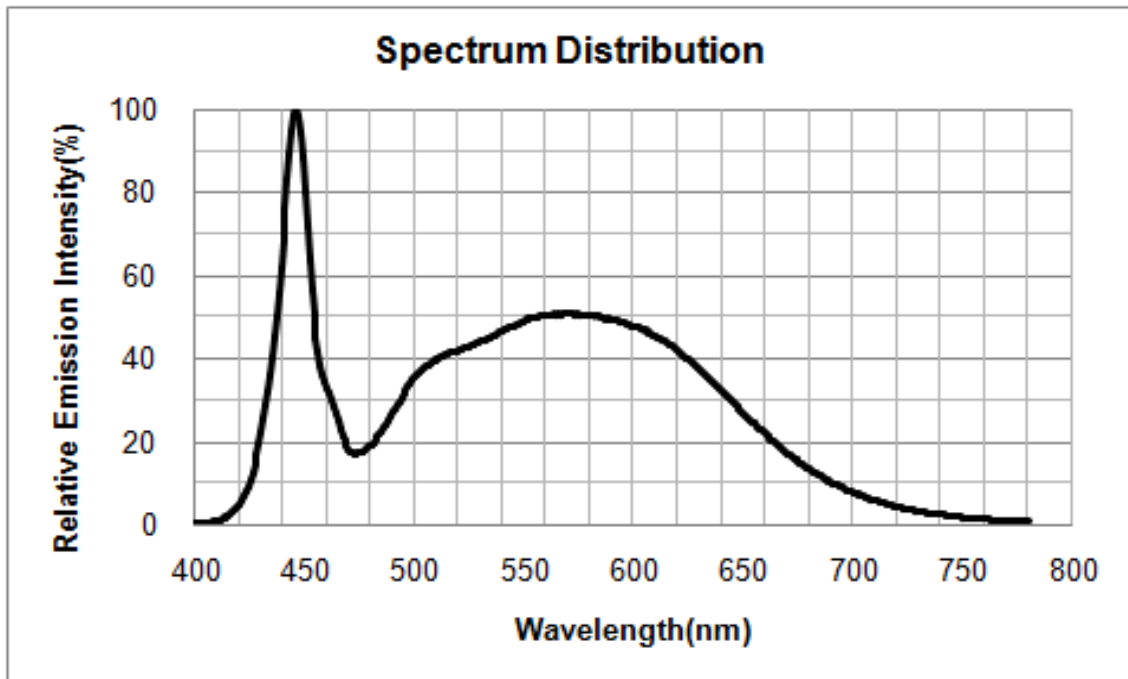
[CCT : 2700K & 3000K]



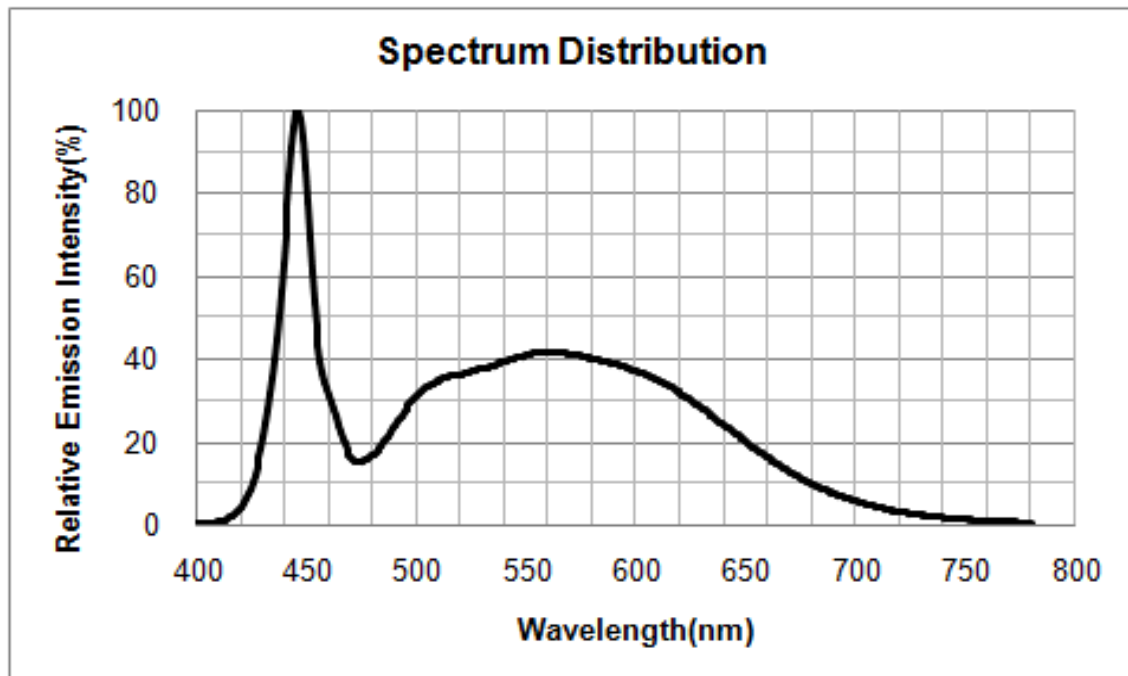
[CCT : 3500K & 4000K]



[CCT : 5000K & 5700K]



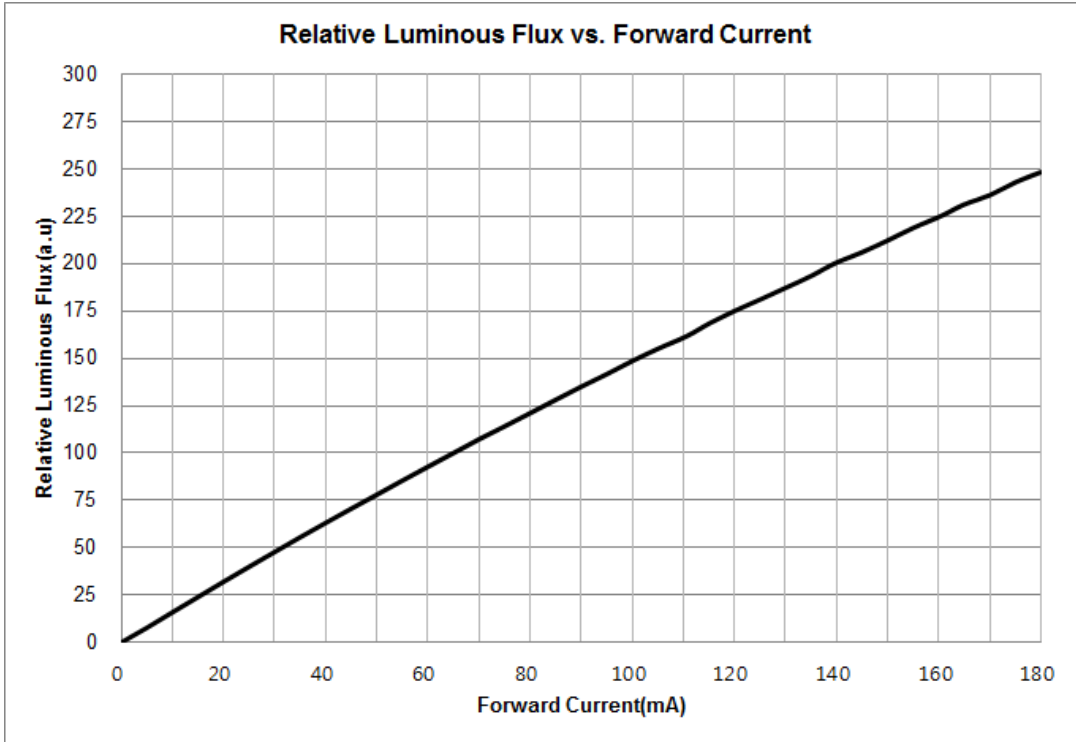
[CCT : 6500K]



## 2) Forward Current Characteristics

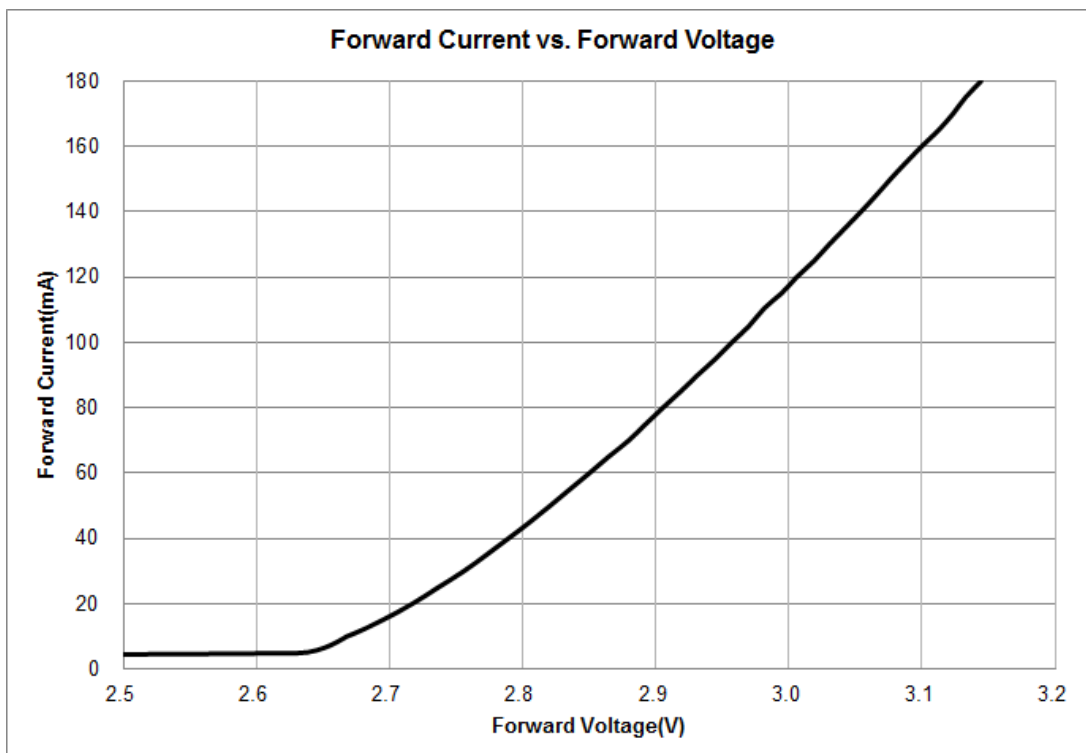
[Relative Luminous Flux vs. Forward Current]

( $T_s = 25^\circ\text{C}$ )



## [Forward Current vs. Forward Voltage]

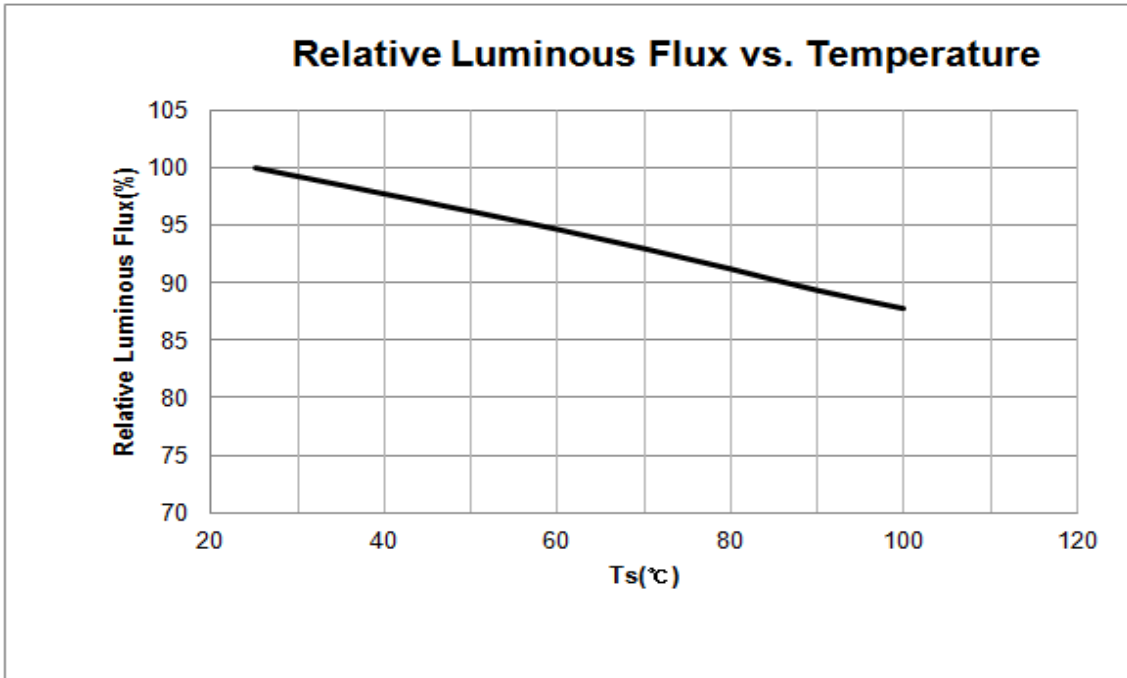
( $T_s = 25^\circ\text{C}$ )



### 3) Temperature Characteristics

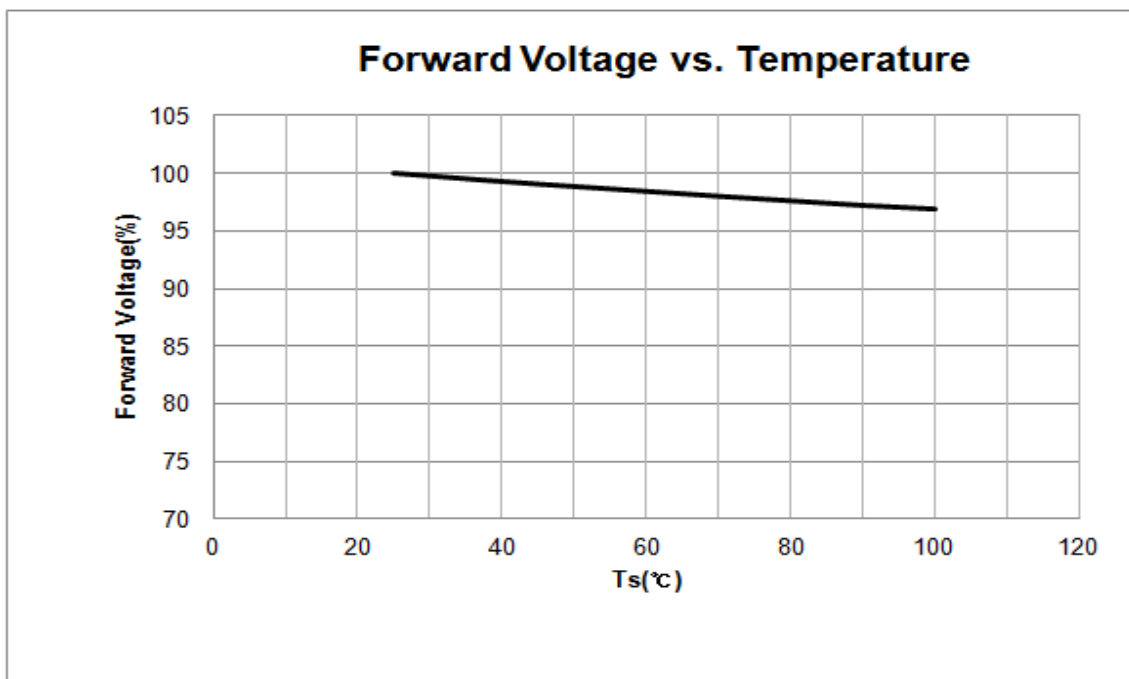
[Relative Luminous Flux vs.  $T_s$ ]

( $I_F = 65\text{mA}$ )



[Forward Voltage vs.  $T_s$ ]

( $I_F = 65\text{mA}$ )

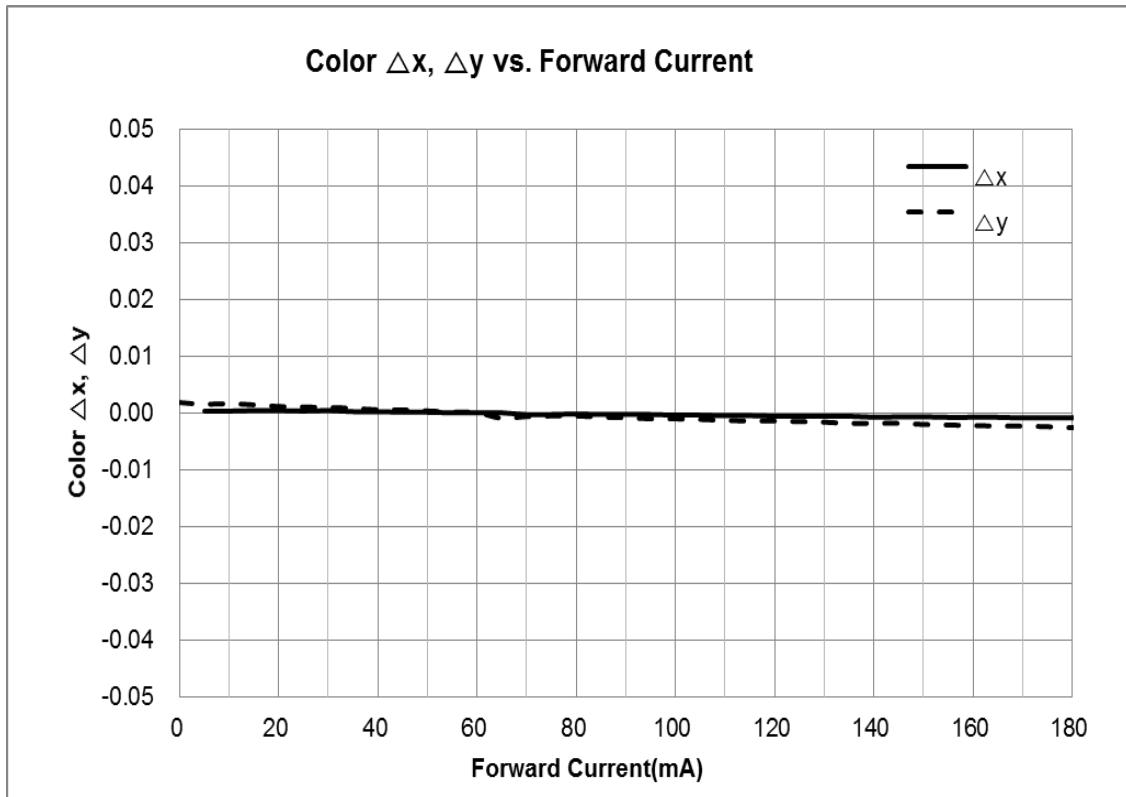




#### 4) Color shift Characteristics

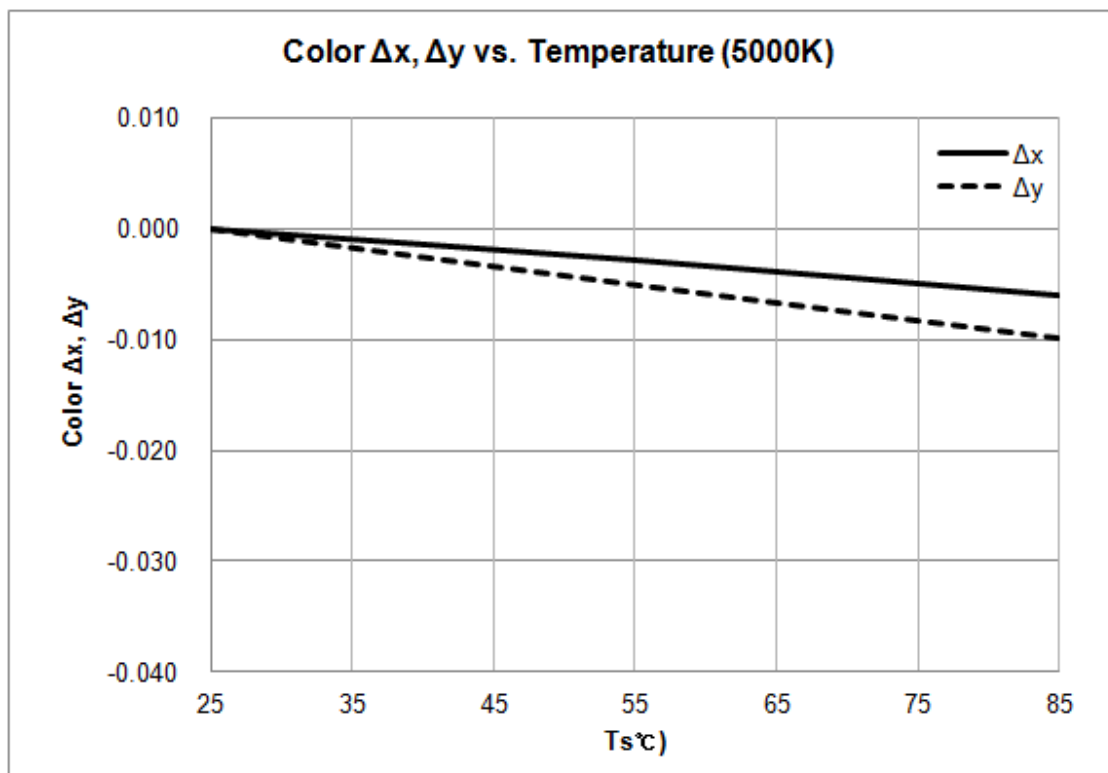
[Color  $\Delta x$ ,  $\Delta y$  vs. Forward Current]

( $T_s = 25^\circ\text{C}$ )



[Color  $\Delta x$ ,  $\Delta y$  vs.  $T_s$ ]

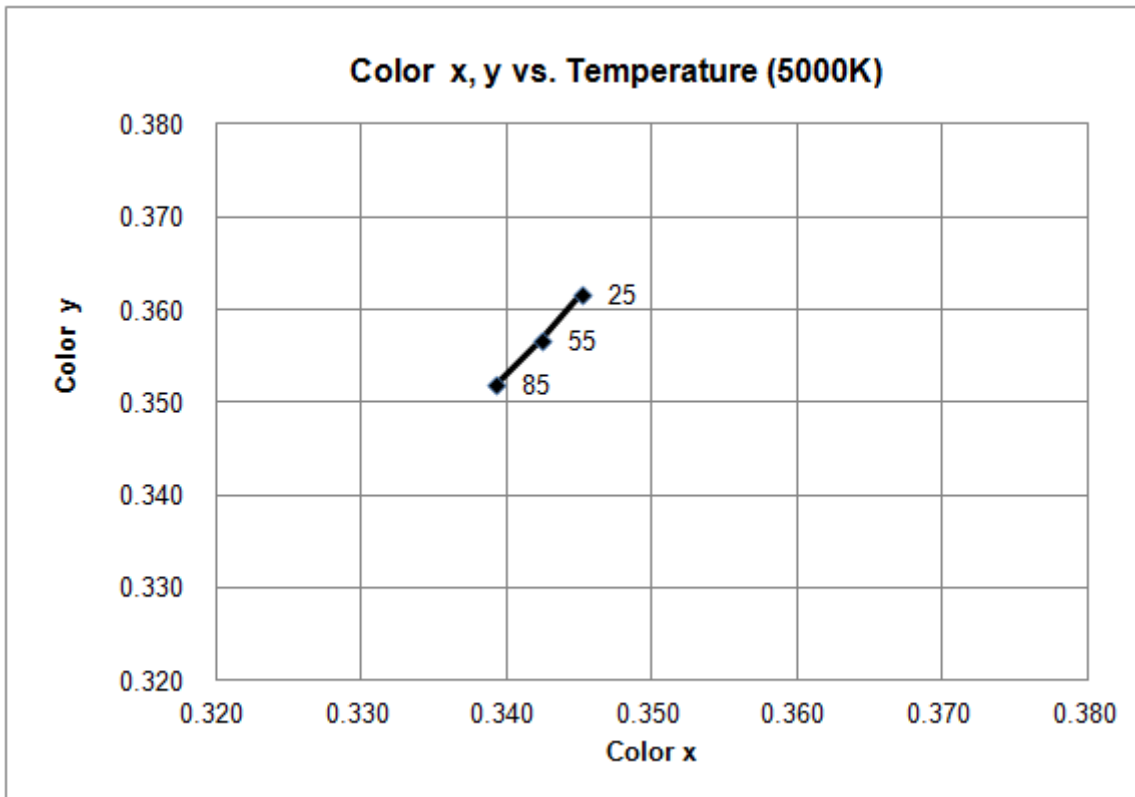
( $I_F = 65\text{mA}$ )



#### 4) Color shift Characteristics

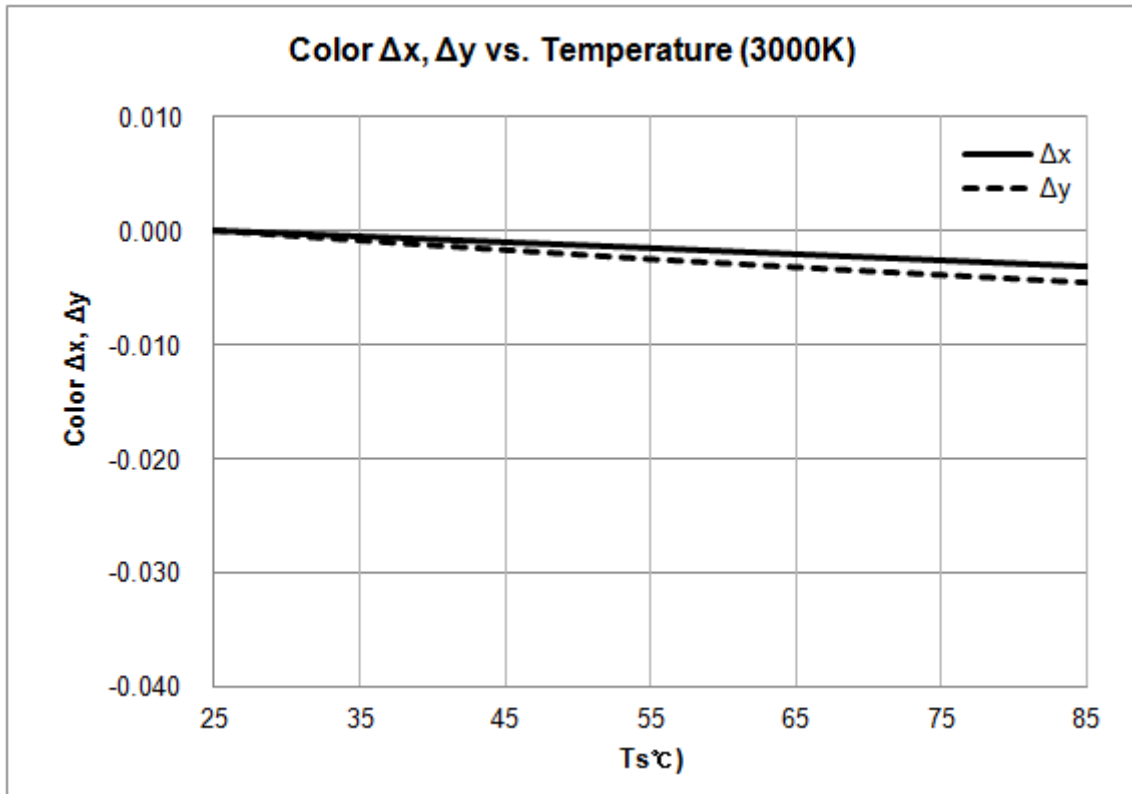
[Color x, y vs. Ts]

( $I_F = 65\text{mA}$ )



[Color  $\Delta x$ ,  $\Delta y$  vs. Ts]

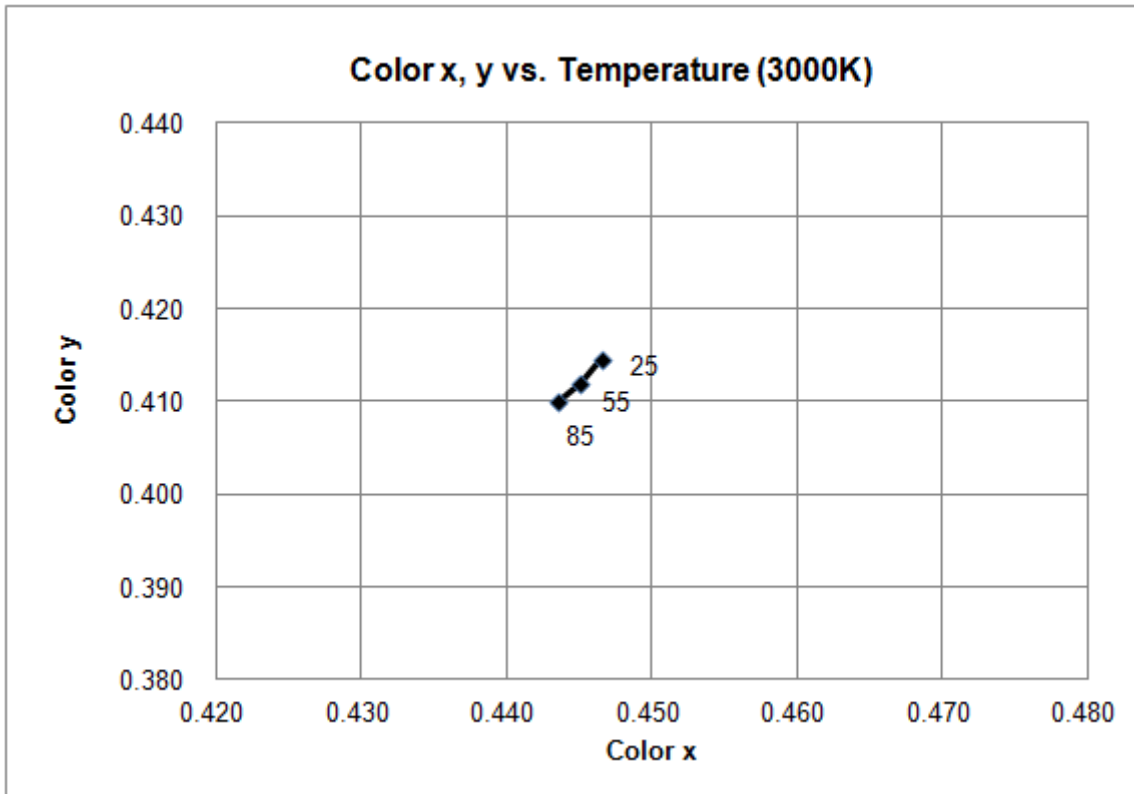
( $I_F = 65\text{mA}$ )



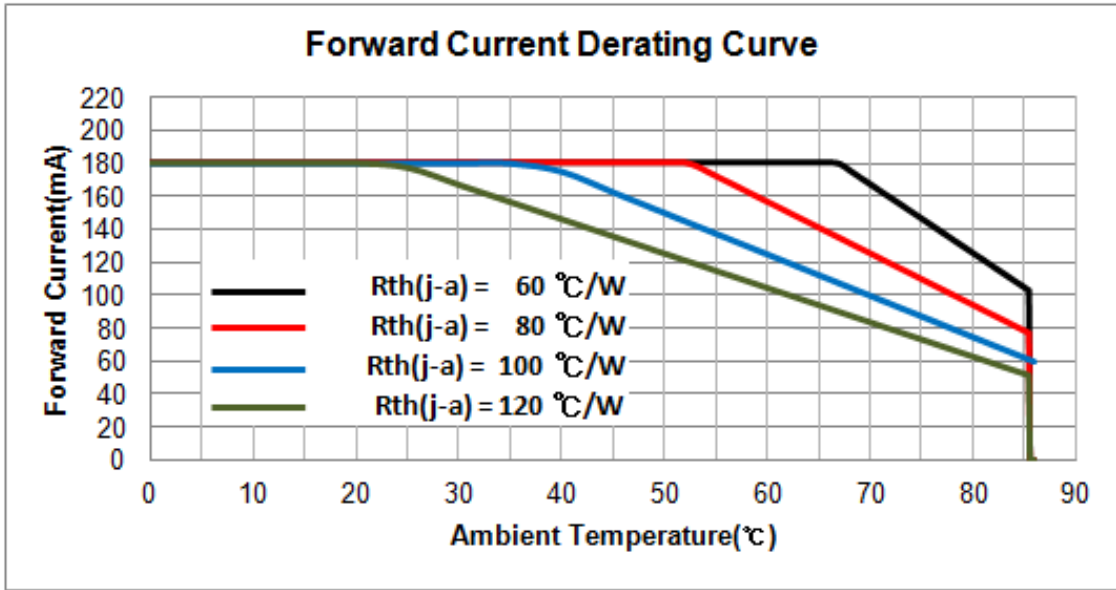
#### 4) Color shift Characteristics

[Color x, y vs. Ts]

( $T_s = 25^\circ\text{C}$ )

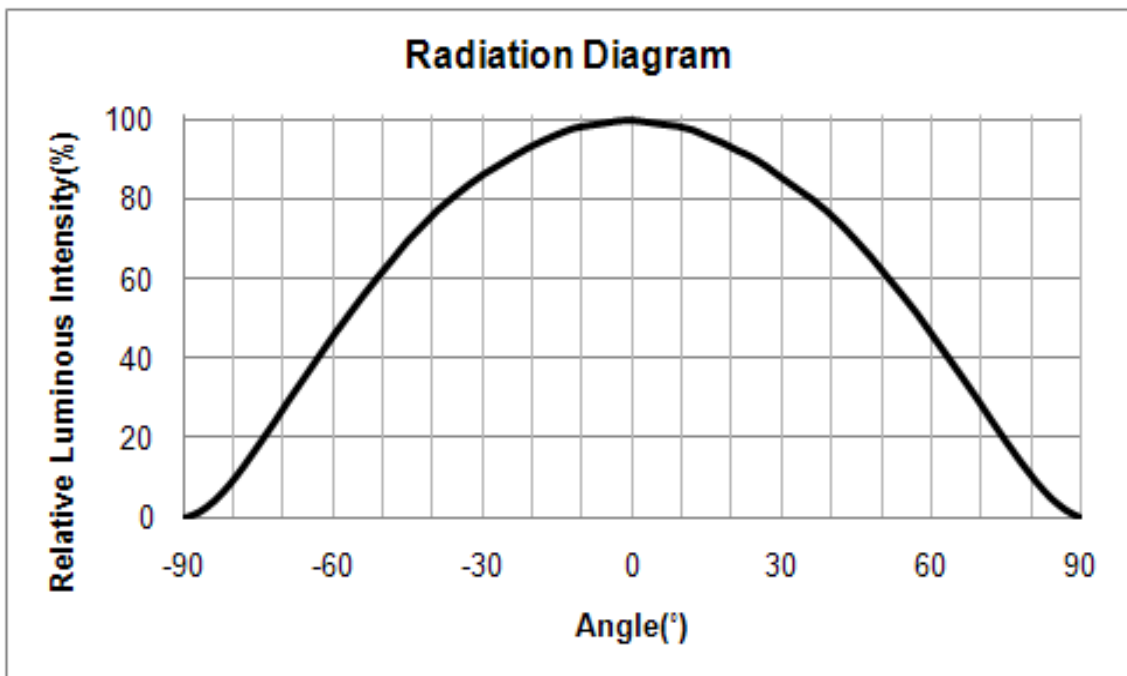


### 5) Derating Curve



### 6) Beam Angle Characteristics

( $I_F = 65\text{mA}$  &  $T_a = 25^\circ\text{C}$ )





## 5. Reliability Test Items and Conditions

### 1) Test Items

| Test Item                           | Test Conditions   | Test Hours/Cycles                                 | Sample No |   |
|-------------------------------------|---|---|-----------|---|
| MSL Test                            | 125 °C 24hrs drying → 60 °C, 60 %RH 120hrs<br>→ 260 °C 10sec 3 cycles                 | 1 cycle   | 11        |   |
| Room Temperature life test          | 25 °C±3 °C, DC180 mA  | 1,000 hrs   | 22        |   |
| High Temperature life test          | 85 °C±3 °C, DC180 mA  | 1,000 hrs   | 22        |   |
| High Temperature humidity life test | 60 °C±3 °C, 90 %±2 %RH, DC180 mA  | 1,000 hrs   | 22        |   |
| Low Temperature life test           | -40 °C±3 °C, DC180 mA   | 1,000 hrs   | 22        |   |
| Powered Temperature Cycle test      | -45°C/20 min ↔ 85°C/20 min, Sweep<br>100min cycle on/off: each 5 min, DC 180 mA       | 100 cycle   | 22        |   |
| Thermal Shock                       | -45 °C/15 min ↔ 125 °C/15 min<br>→ Hot plate 180 °C                                   | 500 cycle   | 100       |   |
| High Temperature Storage            | Ta=120 °C±3 °C  | 1000 hrs  | 11        |   |
| Low Temperature Storage             | Ta=-40 °C±3 °C  | 1000 hrs  | 11        |   |
| ESD(HBM)                            |   | R1:10 MΩ,<br>R2:1.5 kΩ,<br>C:100 pF,<br>V = ±5 kV | 5 times   | 5 |
| ESD(MM)                             |   | R1:10 MΩ,<br>R2: 0,<br>C:200 pF,<br>V = ±0.5 kV   | 5 times   | 5 |
| Vibration Test                      | 20~2000~20 Hz 200 m/s <sup>2</sup> , Sweep 4 min<br>X, Y, Z 3 direction, each 1 cycle | 4 cycles  | 11        |   |
| Mechanical Shock Test               | 1500G, 0.5 ms,  | 5 cycles  | 11        |   |

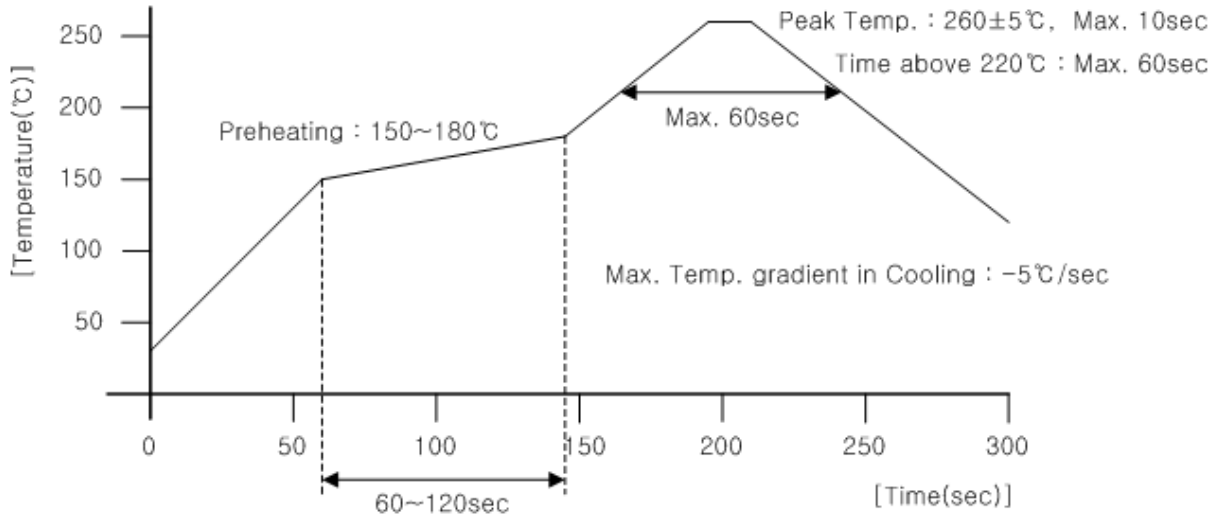
### 2) Criteria for Judging the Damage

| Item            | Symbol         | Test Condition         | Limit           |                 |
|-----------------|----------------|------------------------|-----------------|-----------------|
|                 |                |                        | Min             | Max             |
| Forward Voltage | V <sub>F</sub> | I <sub>F</sub> = 65 mA | Init. Value*0.9 | Init. Value*1.1 |
| Luminous Flux   | Φ <sub>v</sub> | I <sub>F</sub> = 65 mA | Init. Value*0.7 | Init. Value*1.2 |

## 6. Solder Conditions

### 1) Reflow Conditions ( Pb Free )

Reflow Frequency : 2 times max.



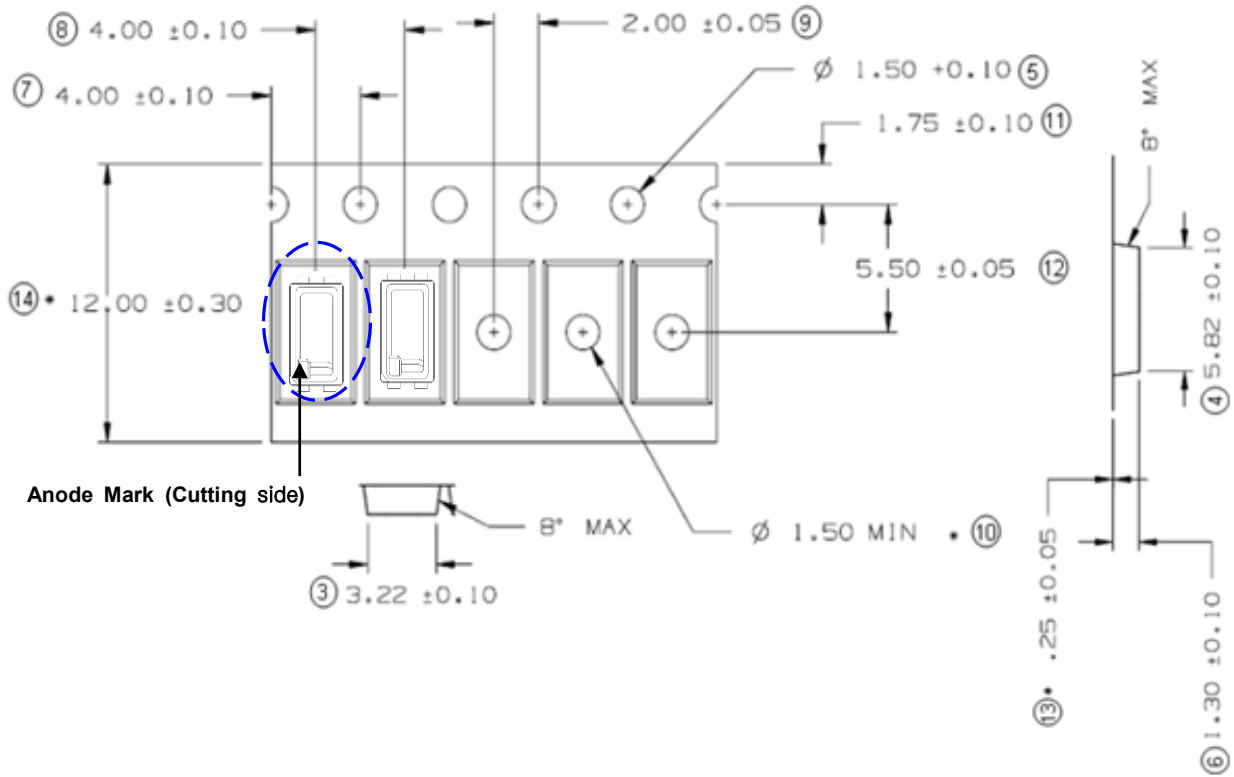
### 2) For Manual Soldering

Not more than 5 seconds @Max. 300°C, under soldering iron.

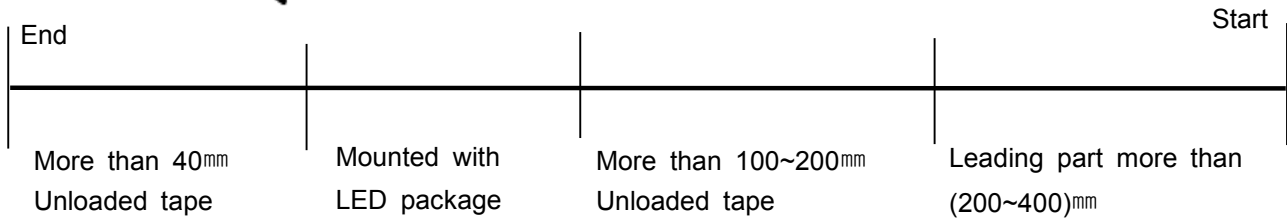
## 7. Tape & Reel

### 1) Taping Dimension

(unit : mm)

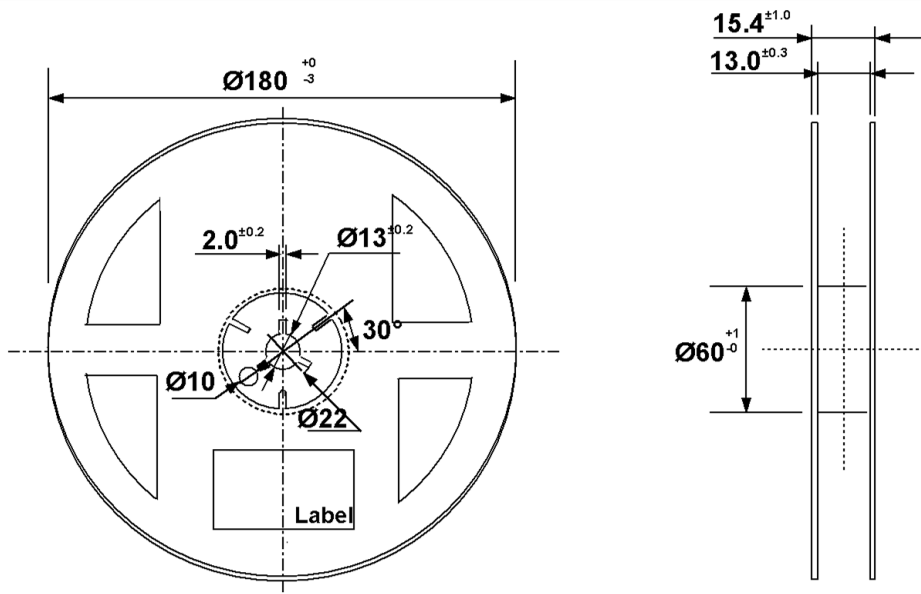


Tapping Direction



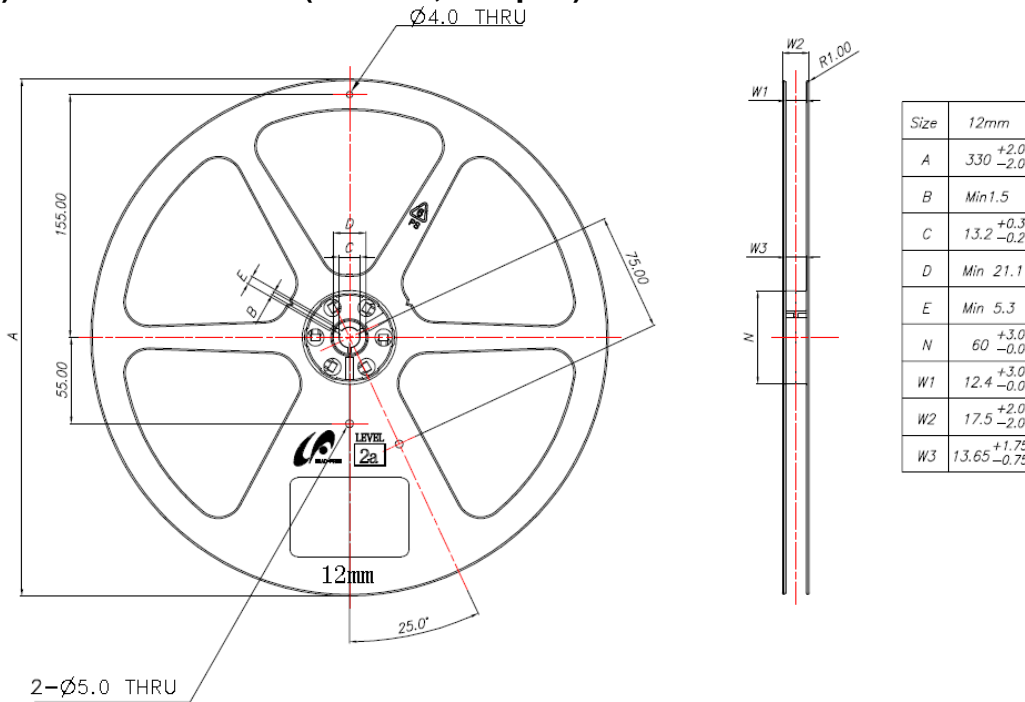


### 2-1) Reel Dimension (max 2,500 pcs)



Tolerance  $\pm 0.2$  , Unit:mm

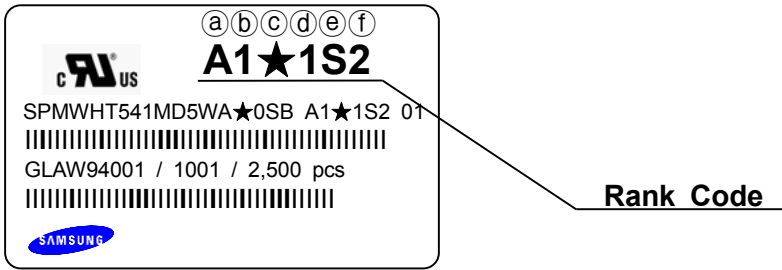
### 2-2) Reel Dimension (max 10,000 pcs)



- (1) Quantity : The quantity/Reel to be 2,500 pcs or 10,000 pcs, .
- (2) Cumulative Tolerance : Cumulative tolerance/10 pitches to be  $\pm 0.2$ mm
- (3) Adhesion Strength of Cover Tape : Adhesion strength to be 0.1-0.7N when the cover tape is turned off from the carrier tape at 10°C angle to be the carrier tape.
- (4) Packaging : P/N, Manufacturing data code no. and quantity to be indicated on a damp proof Package.

## 8. Label Structure

### 1) Label Structure



N.B) Denoted rank is the only example.

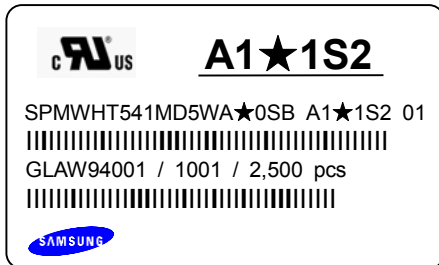
'★' means All kind of Chromaticity Coordinate Rank.

### Rank Code

- ⒶⒷ : Forward Voltage( $V_F$ ) Rank (refer to page. 11)
- ⒸⒹ : Chromaticity Coordinate Rank (refer to page. 5~10)
- ⒺⒻ : Luminous Flux( $\Phi_v$ , lm) Rank (refer to page. 3)

### 2) LOT Number

The Lot number is composed of the following characters



①②③④⑤⑥⑦⑧⑨ / 1ⒶⒷⒸ / 2,500 or 10,000 PCS

- ① : Production Site (S:SAMSUNG ELECTRONICS, G:TIAJIN CHINA)
- ② : L (LED)
- ③ : Product State (A:Normality, B:Bulk, C:First Production, R:Reproduction, S:Sample)
- ④ : Year (Y:2014, Z:2015, A:2016...)
- ⑤ : Month (1 ~ 9, A, B, C)
- ⑥ : Day (1 ~ 9, A, B ~ V)
- ⑦⑧⑨ : SAMSUNG ELECTRONICS LED Product number (001 ~ 999)
- ⒶⒷⒸ : Reel Number (001 ~ 999)



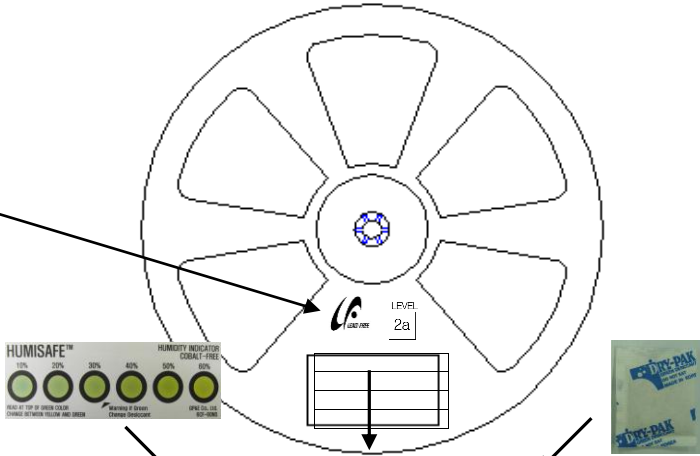
# 9. Packing Structure

1-1) Packing Process (The quantity of PKG on the Reel to be Max 2,500 pcs)

## Reel

**A1★1S2**

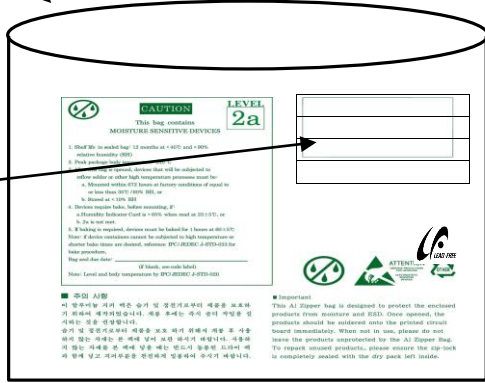
SPMWHT541MD5WA★0SB A1★1S2 01  
 GLAW94001 / 1001 / 2,500 pcs



## Aluminum Vinyl Bag

**A1★1S2**

SPMWHT541MD5WA★0SB A1★1S2 01  
 GLAW94001 / 1001 / 2,500 pcs



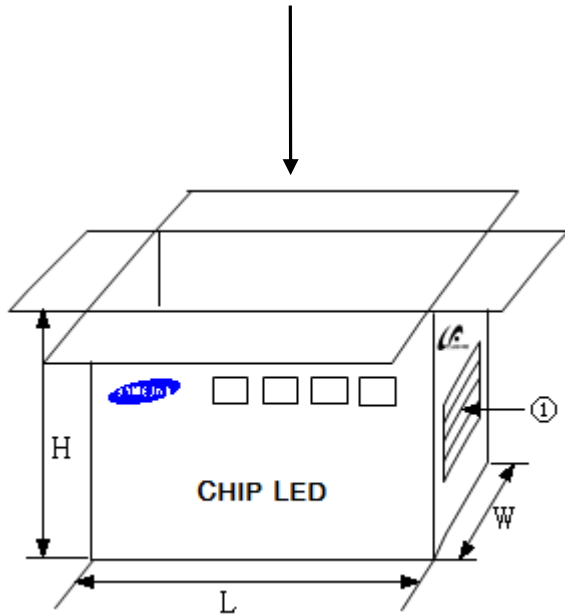
Material : Paper(SW3B(B))

| TYPE    | SIZE(mm) |       |       | Notes          |
|---------|----------|-------|-------|----------------|
|         | L        | W     | H     |                |
| 7inch L | 245±5    | 220±5 | 182±5 | Up to 10 Reels |
| 7inch S | 245±5    | 220±5 | 86±5  | Up to 5 Reels  |

① SIDE

**A1★1S2**

SPMWHT541MD5WA★0SB A1★1S2 01  
 GLAW94001 / 1001 / 25,000 pcs





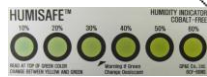
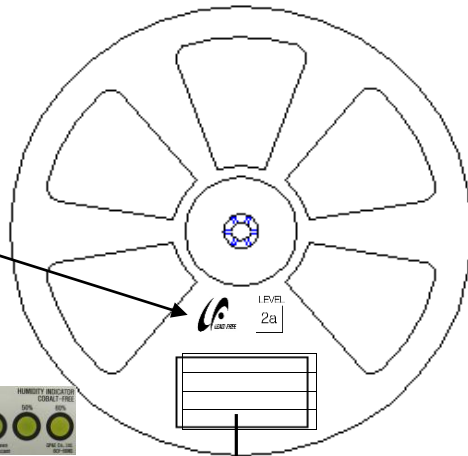
## 1-2) Packing Process (The quantity of PKG on the Reel to be Max 10,000 pcs)

### Reel

**A1W1S2**

SPMWH1541MD5WKW0SB A1W1S2 01

GLAV94001 / 1001 / 10,000 pcs

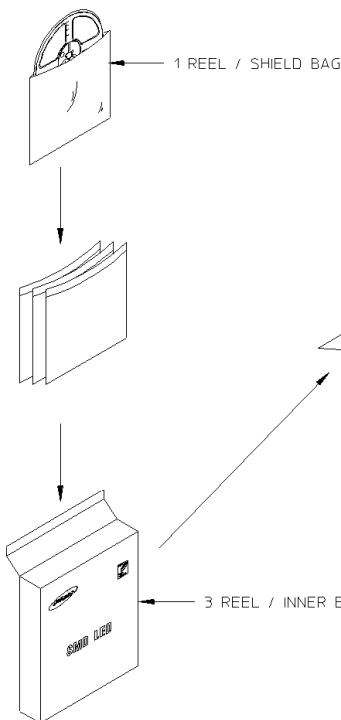
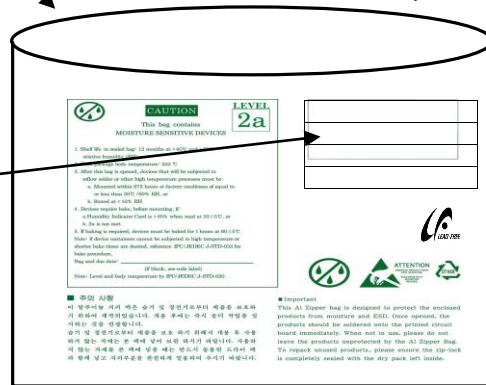


### Aluminum Vinyl Bag

**cRU<sup>US</sup> A1W1S2**

SPMWH1541MD5WKW0SB A1W1S2 01

GLAV94001 / 1001 / 10,000 pcs

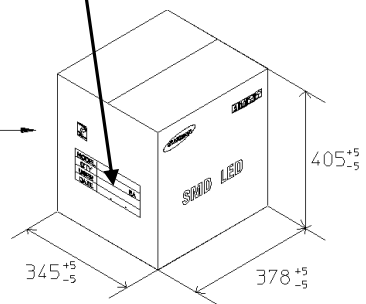


**cRU<sup>US</sup> A1W1S2**

SPMWH1541MD5WKW0SB A1W1S2 01

GLAV94001 / 1001 / 150,000 pcs


[Box Label]



5 INNER/OUT BOX

| Box   | SIZE(mm) |       |       |
|-------|----------|-------|-------|
|       | L        | W     | H     |
| Inner | 340±5    | 370±5 | 80±5  |
| Outer | 345±5    | 378±5 | 405±5 |

## 2) Aluminum Packing Bag



**CAUTION**  
 This bag contains  
**MOISTURE SENSITIVE DEVICES**


**LEVEL**  
2a

1. Shelf life in sealed bag: 12 months at <math>< 40^{\circ}\text{C}</math> and <math>< 90\%</math> relative humidity (RH)
2. Peak package body temperature: 240 °C
3. After this bag is opened, devices that will be subjected to reflow solder or other high temperature processes must be:
  - a. Mounted within 672 hours at factory conditions of equal to or less than 30°C / 60% RH, or
  - b. Stored at <math>< 10\%</math> RH
4. Devices require bake, before mounting, if:
  - a. Humidity Indicator Card is > 65% when read at 23±5°C, or
  - b. 2a is not met.
5. If baking is required, devices must be baked for 1 hours at 60±5°C

Note: if device containers cannot be subjected to high temperature or shorter bake times are desired, reference IPC/JEDEC J-STD-033 for bake procedure,

Bag seal due date: \_\_\_\_\_  
 (if blank, see code label)


Note: Level and body temperature by IPC/JEDEC J-STD-020






A1★1S2

SPMWHT541MD5WA★0SB A1★1S2 01


GLAW94001 / 1001 / 2,500 pcs





**ATTENTION**  
 OBSERVE PRECAUTIONS  
 FOR HANDLING  
 ELECTROSTATIC  
 SENSITIVE  
 DEVICES



**■ 주의 사항**

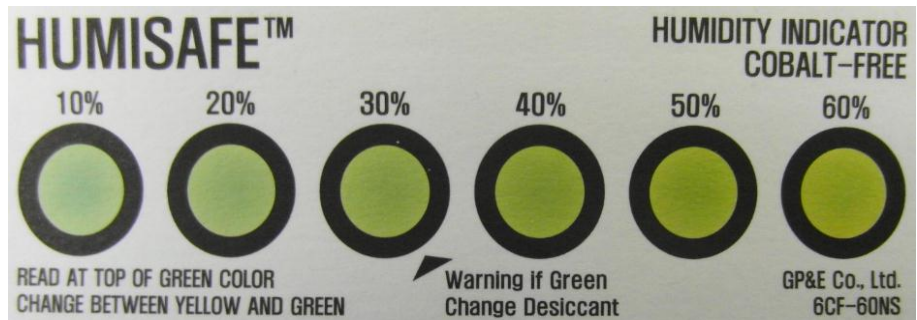
이 알루미늄 지퍼 백은 습기 및 정전기로부터 제품을 보호하기 위하여 제작되었습니다. 개봉 후에는 즉시 솔더 작업을 실시하는 것을 권장합니다.

습기 및 정전기로부터 제품을 보호 하기 위해서 개봉 후 사용하지 않는 자재는 본 팩에 넣어 보관 하시기 바랍니다. 사용하지 않는 자재를 본 팩에 넣을 때는 반드시 동봉된 드라이 팩과 함께 넣고 지퍼부분을 완전하게 밀봉하여 주시기 바랍니다.

**■ Important**

This Al Zipper bag is designed to protect the enclosed products from moisture and ESD. Once opened, the products should be soldered onto the printed circuit board immediately. When not in use, please do not leave the products unprotected by the Al Zipper Bag. To repack unused products., please ensure the zip-lock is completely sealed with the dry pack left inside.

## Silica gel & Humidity Indicator Card in Aluminum Vinyl Bag



## 10. Precaution for use

- 1) For over-current-proof function, customers are recommended to apply resistors to prevent sudden change of the current caused by slight shift of the voltage.
- 2) This device should not be used in any type of fluid such as water, oil, organic solvent, etc. When washing is required, IPA is recommended to use.
- 3) When the LEDs illuminate, operating current should be decided after considering the ambient maximum temperature.
- 4) LEDs must be stored in a clean environment.  
If the LEDs are to be stored for 3 months or more after being shipped from Samsung Electronics, they should be packed by a sealed container with nitrogen gas injected.(Shelf life of sealed bags: 12 months, temp.  $\sim 40^{\circ}\text{C}$ ,  $\sim 90\%$  RH)
- 5) After storage bag is open, device subjected to soldering, solder reflow, or other high temperature processes must be:
  - a. Mounted within 672 hours(28 days) at an assembly line with a condition of no more than  $30^{\circ}\text{C}/60\%\text{RH}$
  - b. Stored at  $<10\%\text{RH}$ .
- 6) Repack unused Products with anti-moisture packing, fold to close any opening and then store in a dry place.
- 7) Devices require baking before mounting, if humidity card reading is  $>60\%$  at  $23\pm 5^{\circ}\text{C}$ .
- 8) Devices must be baked for 1 hour at  $60\pm 5^{\circ}\text{C}$ , if baking is required.
- 9) The LEDs are sensitive to the static electricity and surge. It is recommended to use a wrist band or anti-electrostatic glove when handling the LEDs.  
  
If voltage exceeding the absolute maximum rating is applied to LEDs, it may cause damage or even destruction to LED devices.  
  
Damaged LEDs may show some unusual characteristics such as increase in leak current, lowered turn-on voltage, or abnormal lighting of LEDs at low current.

10) VOCs (volatile organic compounds) can be generated from adhesives, flux, hardener or organic additives used in luminaires (fixtures).

Transparent LED silicone encapsulant is permeable to those chemicals and they may lead a discoloration of encapsulant when they expose to heat or light.

This phenomenon can cause a significant loss of light emitted(output) from the luminaires(fixture).

In order to prevent these problems, we recommend you to know the physical properties of the materials used in luminaires, They must be selected carefully.

#### 11) Risk of Sulfurization (or Tarnishing)

The LED from Samsung Electronics uses a silver-plated lead frame and its surface color may change to black(or dark colored) when it is exposed to sulfur(S), chlorine (Cl) or other halogen compound.

Sulfurization of lead frame may cause intensity degradation, change of chromaticity coordinates and, in extreme cases, open circuit. It requires caution.

Due to possible sulfurization of lead frame, LED should not be used and stored together with oxidizing substances made of materials in a following list,  
: Rubber, plain paper, lead solder cream and so on.

## 12. Hazard Substance Analysis

### 1) SVHC (Reach) Report



#### Test Report

No. F690101/LF-CTSAYAA14-58066

Issued Date: 2014. 12. 26

Page 1 of 19

SAMSUNG ELECTRONICS CO  
95 Samsung 2-ro Giheung-gu  
Yongin-city Gyeonggi-do  
Korea

The following sample(s) was/were submitted and identified by/on behalf of the client as:-

---

|                |  |
|----------------|--|
| SGS File No.   | : AYAA14-58066   |
| Product Name   | : 5630G2 white PKG   |
| Item/Part Name | : N/A  |
| Received Date  | : 2014. 12. 18   |
| Test Period    | : 2014. 12. 19 ~ 2014. 12. 26  |
| Test Requested | : One hundred-sixty one (161) substances in the Candidate List of Substances of Very High Concern (SVHC) for authorization published by European Chemicals Agency (ECHA) on December 17, 2014 regarding Regulation (EC) No 1907/2006 concerning the REACH. |
| Test Method    | : Please refer to next page(s).  |
| Test Result(s) | : Please refer to next page(s).  |
| Summary        | : According to the specified scope and analytical technique, concentrations of all SVHC are <0.1% in the submitted sample(s).  |

SGS Korea Co., Ltd

Jeff Jang / Chemical Lab Mgr

This document is issued by the Company subject to its General Conditions of Service printed overleaf, available on request or accessible at <http://www.sgs.com/ten/Terms-and-Conditions.aspx> and, for electronic format documents, subject to Terms and Conditions for Electronic Documents at [www.sgs.com/terms\\_e-document.htm](http://www.sgs.com/terms_e-document.htm). Attention is drawn to the limitation of liability, indemnification and jurisdiction issues defined therein. Any holder of this document is advised that information contained hereon reflects the Company's findings at the time of its intervention only and within the limits of Client's instructions, if any. The Company's sole responsibility is to its Client and this document does not exonerate parties to a transaction from exercising all their rights and obligations under the transaction documents. This document cannot be reproduced except in full, without prior written approval of the Company. Any unauthorized alteration, forgery or falsification of the content or appearance of this document is unlawful and offenders may be prosecuted to the fullest extent of the law. Unless otherwise stated the results shown in this test report refer only to the sample(s).



## Test Method:

SGS In-House method - Analyzed by ICP-OES, PLM, UV/VIS, LC/MS, GC/MS and colorimetric method

## Remarks:

- The chemical analysis of specified SVHC is performed by means of currently available analytical techniques against the following SVHC related documents published by ECHA:  
<http://echa.europa.eu/web/guest/candidate-list-table> (Candidate list)  
[http://echa.europa.eu/proposals-to-identify-substances-of-very-high-concern-previous-consultations?p\\_p\\_id=substancetypelist\\_WAR\\_substanceportlet&p\\_p\\_lifecycle=0&p\\_p\\_state=normal&p\\_p\\_mode=view&p\\_p\\_col\\_id=column-1&p\\_p\\_col\\_pos=2&p\\_p\\_col\\_count=4&substancetypelis](http://echa.europa.eu/proposals-to-identify-substances-of-very-high-concern-previous-consultations?p_p_id=substancetypelist_WAR_substanceportlet&p_p_lifecycle=0&p_p_state=normal&p_p_mode=view&p_p_col_id=column-1&p_p_col_pos=2&p_p_col_count=4&substancetypelis)  
 (Proposals to identify SVHC consultations)  
 This list is under evaluation by ECHA and may subject to change in the future.
- In accordance with Regulation (EC) No 1907/2006, any producer or importer of articles shall notify ECHA, in accordance with paragraph 2 of Article 7, if a substance meets the criteria in Article 57 and is identified in accordance with Article 59(1) of the Regulation, if (a) the substance is present in those articles in quantities totaling over one tonne per producer or importer per year; and (b) the substance is present in those articles above a concentration of 0.1 % weight by weight (w/w).
- Article 33 of Regulation (EC) No 1907/2006 requires supplier of an article containing a substance meeting the criteria in Article 57 and identified in accordance with Article 59(1) in a concentration above 0.1 % weight by weight (w/w) shall provide the recipient of the article with sufficient information, available to the supplier, to allow safe use of the article including, as a minimum, the name of that substance in the Candidate List.
- SGS adopts the interpretation of ECHA for SVHC in article unless indicated otherwise. Detail explanation is available at the following link:  
[http://webstage.contribute.sgs.net/corpreach/documents/SGS-CTS\\_SVHC-paper-EN-11.pdf](http://webstage.contribute.sgs.net/corpreach/documents/SGS-CTS_SVHC-paper-EN-11.pdf)
- Test results in this report are based on the tested sample. This report refers to testing result of composite material group by equal weight proportion. The material in each composite test group may come from one article.
- If a SVHC is found over the reporting limit, client is suggested to identify the component which contains the SVHC and the exact concentration of the SVHC by requesting further quantitative analysis from the laboratory.

This document is issued by the Company subject to its General Conditions of Service printed overleaf, available on request or accessible at <http://www.sgs.com/en/terms-and-conditions.aspx> and, for electronic format documents, subject to Terms and Conditions for Electronic Documents at [www.sgs.com/terms\\_e-document.htm](http://www.sgs.com/terms_e-document.htm). Attention is drawn to the limitation of liability, indemnification and jurisdiction issues defined therein. Any holder of this document is advised that information contained hereon reflects the Company's findings at the time of its intervention only and within the limits of Client's instructions, if any. The Company's sole responsibility is to its Client and this document does not exonerate parties to a transaction from exercising all their rights and obligations under the transaction documents. This document cannot be reproduced except in full, without prior written approval of the Company. Any unauthorized alteration, forgery or falsification of the content or appearance of this document is unlawful and offenders may be prosecuted to the fullest extent of the law. Unless otherwise stated the results shown in this test report refer only to the sample(s).

## Test Result(s)

| Substance Name   | CAS number   | EC number              | Concentration (%) | Reporting Limit (%) | Classification   |
|--|--|------------------------|-------------------|---------------------|--|
| Alkanes, C10-13, chloro (Short Chain Chlorinated Paraffins)  | 85535-84-8   | 287-476-5              | N.D.              | 0.05                | PBT  |
| Anthracene   | 120-12-7   | 204-371-1              | N.D.              | 0.05                | PBT  |
| Benzyl butyl phthalate (BBP)   | 85-68-7  | 201-622-7              | N.D.              | 0.05                | Toxic for Reproduction   |
| Bis(2-ethylhexyl)phthalate (DEHP)  | 117-81-7   | 204-211-0              | N.D.              | 0.05                | Toxic for Reproduction<br>Equivalent level of concern having probable serious effects to the environment |
| Bis(tributyltin)oxide  | 56-35-9  | 200-268-0              | N.D.              | 0.05                | PBT  |
| Cobalt dichloride*   | 7646-79-9  | 231-589-4              | N.D.              | 0.005               | Carcinogen<br>Toxic for Reproduction   |
| 4,4-Diaminodiphenylmethane   | 101-77-9   | 202-974-4              | N.D.              | 0.05                | Carcinogen   |
| Diarsenic pentaoxide*  | 1303-28-2  | 215-116-9              | N.D.              | 0.005               | Carcinogen   |
| Diarsenic trioxide*  | 1327-53-3  | 215-481-4              | N.D.              | 0.005               | Carcinogen   |
| Dibutyl phthalate (DBP)  | 84-74-2  | 201-557-4              | N.D.              | 0.05                | Toxic for Reproduction   |
| Hexabromocyclododecane (HBCDD) and all major diastereoisomers identified ( $\alpha$ -HBCDD, $\beta$ -HBCDD, $\gamma$ -HBCDD) | 25637-99-4<br>3194-55-6<br>(134237-51-7,<br>134237-50-6,<br>134237-52-8) | 247-148-4<br>221-695-9 | N.D.              | 0.05                | PBT  |
| Lead hydrogen arsenate*  | 7784-40-9  | 232-064-2              | N.D.              | 0.005               | Carcinogen<br>Toxic for Reproduction   |
| Sodium dichromate (Sodium dichromate, dehydrate)   | 10588-01-9<br>(7789-12-0)  | 234-190-3              | N.D.              | 0.005               | Carcinogen<br>Mutagen<br>Toxic for Reproduction  |
| 5-tert-butyl-2,4,6-trinitro-m-xylene (musk xylene)   | 81-15-2  | 201-329-4              | N.D.              | 0.05                | vPvB   |
| Triethyl arsenate*   | 15606-95-8   | 427-700-2              | N.D.              | 0.005               | Carcinogen   |

This document is issued by the Company subject to its General Conditions of Service printed overleaf, available on request or accessible at <http://www.sgs.com/sgs/Terms-and-Conditions.aspx> and, for electronic format documents, subject to Terms and Conditions for Electronic Documents at [www.sgs.com/terms\\_e-document.htm](http://www.sgs.com/terms_e-document.htm). Attention is drawn to the limitation of liability, indemnification and jurisdiction issues defined therein. Any holder of this document is advised that information contained hereon reflects the Company's findings at the time of its intervention only and within the limits of Client's instructions, if any. The Company's sole responsibility is to its Client and this document does not exonerate parties to a transaction from exercising all their rights and obligations under the transaction documents. This document cannot be reproduced except in full, without prior written approval of the Company. Any unauthorized alteration, forgery or falsification of the content or appearance of this document is unlawful and offenders may be prosecuted to the fullest extent of the law. Unless otherwise stated the results shown in this test report refer only to the sample(s).

SGS Korea Co., Ltd.

322, The O valley, 76, LS-ro, Dongan-gu, Anyang-si, Gyeonggi-do, Korea 431-080  
t +82 (0)31 4608 000 f +82 (0)31 4608 059 <http://www.sgs-group.kr>

Member of the SGS Group (Société Générale de Surveillance)

F401 Version 2

| Substance Name  | CAS number | EC number | Concentration (%) | Reporting Limit (%) | Classification                       |
|---|------------|-----------|-------------------|---------------------|--------------------------------------|
| Di-isobutyl phthalate(DIBP)                                       | 84-69-5    | 201-553-2 | N.D.              | 0.05                | Toxic for Reproduction               |
| 2,4-Dinitrotoluene  | 121-14-2   | 204-450-0 | N.D.              | 0.05                | Carcinogen                           |
| Tris(2-chloroethyl) phosphate                                     | 115-96-8   | 204-118-5 | N.D.              | 0.05                | Toxic for Reproduction               |
| Anthracene oil  | 90640-80-5 | 292-602-7 | N.D.              | 0.05                | PBT; vPvB<br>Carcinogen              |
| Anthracene oil,<br>anthracene paste;<br>distn. Lights             | 91995-17-4 | 295-278-5 | N.D.              | 0.05                | PBT; vPvB<br>Carcinogen<br>Mutagen   |
| Anthracene oil,<br>anthracene paste,<br>anthracene fraction       | 91995-15-2 | 295-275-9 | N.D.              | 0.05                | PBT; vPvB<br>Carcinogen<br>Mutagen   |
| Anthracene oil,<br>anthracene-low                                 | 90640-82-7 | 292-604-8 | N.D.              | 0.05                | PBT; vPvB<br>Carcinogen<br>Mutagen   |
| Anthracene oil,<br>anthracene paste                               | 90640-81-6 | 292-603-2 | N.D.              | 0.05                | PBT; vPvB<br>Carcinogen<br>Mutagen   |
| Coal tar pitch,<br>high temperature                               | 65996-93-2 | 266-028-2 | N.D.              | 0.05                | PBT; vPvB<br>Carcinogen              |
| Lead sulfochromate yellow<br>(C.I. Pigment Yellow 34)*            | 1344-37-2  | 215-693-7 | N.D.              | 0.005               | Carcinogen<br>Toxic for Reproduction |
| Lead chromate molybdate<br>sulfate red (C.I. Pigment Red<br>104)* | 12656-85-8 | 235-759-9 | N.D.              | 0.005               | Carcinogen<br>Toxic for Reproduction |
| Lead chromate*  | 7758-97-6  | 231-846-0 | N.D.              | 0.005               | Carcinogen<br>Toxic for Reproduction |
| Acrylamide  | 79-06-01   | 201-173-7 | N.D.              | 0.05                | Carcinogen<br>Mutagen                |

This document is issued by the Company subject to its General Conditions of Service printed overleaf, available on request or accessible at <http://www.sgs.com/sgs/terms-and-conditions.aspx> and, for electronic format documents, subject to Terms and Conditions for Electronic Documents at [www.sgs.com/terms\\_e-document.htm](http://www.sgs.com/terms_e-document.htm). Attention is drawn to the limitation of liability, indemnification and jurisdiction issues defined therein. Any holder of this document is advised that information contained hereon reflects the Company's findings at the time of its intervention only and within the limits of Client's instructions, if any. The Company's sole responsibility is to its Client and this document does not exonerate parties to a transaction from exercising all their rights and obligations under the transaction documents. This document cannot be reproduced except in full, without prior written approval of the Company. Any unauthorized alteration, forgery or falsification of the content or appearance of this document is unlawful and offenders may be prosecuted to the fullest extent of the law. Unless otherwise stated the results shown in this test report refer only to the sample(s).

SGS Korea Co., Ltd.

322, The O valley, 75, LS-ro, Dongan-gu, Anyang-si, Gyeonggi-do, Korea 431-080  
t +82 (0)31 4608 000 f +82 (0)31 4608 059 <http://www.sgs-group.kr>

Member of the SGS Group (Société Générale de Surveillance)

| Substance Name                           | CAS number                           | EC number              | Concentration (%) | Reporting Limit (%) | Classification                                  |
|--|--------------------------------------|------------------------|-------------------|---------------------|---|
| Boric acid*                              | 10043-35-3<br>11113-50-1             | 233-139-2<br>234-343-4 | N.D.              | 0.005               | Toxic for Reproduction                          |
| Disodium tetraborate, anhydrous*         | 1330-43-4<br>12179-04-3<br>1303-96-4 | 215-540-4              | N.D.              | 0.005               | Toxic for Reproduction                          |
| Tetraboron disodium heptaoxide, hydrate* | 12267-73-1                           | 235-541-3              | N.D.              | 0.005               | Toxic for Reproduction                          |
| Trichloroethylene                        | 79-01-6                              | 201-167-4              | N.D.              | 0.05                | Carcinogen                                      |
| Sodium chromate*                         | 7775-11-3                            | 231-889-5              | N.D.              | 0.005               | Carcinogen<br>Mutagen<br>Toxic for Reproduction |
| Ammonium dichromate*                     | 7789-09-5                            | 232-143-1              | N.D.              | 0.005               | Carcinogen<br>Mutagen<br>Toxic for Reproduction |
| Potassium dichromate*                    | 7778-50-9                            | 231-906-6              | N.D.              | 0.005               | Carcinogen<br>Mutagen<br>Toxic for Reproduction |
| Potassium chromate*                      | 7789-00-6                            | 232-140-5              | N.D.              | 0.005               | Carcinogen<br>Mutagen                           |

This document is issued by the Company subject to its General Conditions of Service printed overleaf, available on request or accessible at <http://www.sgs.com/en/Terms-and-Conditions.aspx> and, for electronic format documents, subject to Terms and Conditions for Electronic Documents at [www.sgs.com/terms\\_e-document.htm](http://www.sgs.com/terms_e-document.htm). Attention is drawn to the limitation of liability, indemnification and jurisdiction issues defined therein. Any holder of this document is advised that information contained hereon reflects the Company's findings at the time of its intervention only and within the limits of Client's instructions, if any. The Company's sole responsibility is to its Client and this document does not exonerate parties to a transaction from exercising all their rights and obligations under the transaction documents. This document cannot be reproduced except in full, without prior written approval of the Company. Any unauthorized alteration, forgery or falsification of the content or appearance of this document is unlawful and offenders may be prosecuted to the fullest extent of the law. Unless otherwise stated the results shown in this test report refer only to the sample(s).

SGS Korea Co., Ltd.

322, The O valley, 75, LS-ro, Dongan-gu, Anyang-si, Gyeonggi-do, Korea 431-080  
t +82 (0)31 4608 000 f +82 (0)31 4608 059 <http://www.sgsgroup.kr>

Member of the SGS Group (Société Générale de Surveillance)

| Substance Name  | CAS number                   | EC number                   | Concentration (%) | Reporting Limit (%) | Classification                       |
|---|------------------------------|-----------------------------|-------------------|---------------------|--------------------------------------|
| Cobalt(II) sulphate*  | 10124-43-3                   | 233-334-2                   | N.D.              | 0.005               | Carcinogen<br>Toxic for Reproduction |
| Cobalt(II) dinitrate*   | 10141-05-6                   | 233-402-1                   | N.D.              | 0.005               | Carcinogen<br>Toxic for Reproduction |
| Cobalt(II) carbonate*   | 513-79-1                     | 208-169-4                   | N.D.              | 0.005               | Carcinogen<br>Toxic for Reproduction |
| Cobalt(II) diacetate*   | 71-48-7                      | 200-755-8                   | N.D.              | 0.005               | Carcinogen<br>Toxic for Reproduction |
| 2-Methoxyethanol  | 109-86-4                     | 203-713-7                   | N.D.              | 0.05                | Toxic for Reproduction               |
| 2-Ethoxyethanol   | 110-80-5                     | 203-804-1                   | N.D.              | 0.05                | Toxic for Reproduction               |
| Chromium trioxide*  | 1333-82-0                    | 215-607-8                   | N.D.              | 0.005               | Carcinogen<br>Mutagen                |
| Acids generated from chromium trioxide and their oligomers:<br><br>Chromic acid<br>Dichromic acid<br><br>Oligomers of chromic acid and dichromic acid | 7738-94-5<br>13530-68-2<br>- | 231-801-5<br>236-881-5<br>- | N.D.              | 0.005               | Carcinogen                           |
| 1-methyl-2-pyrrolidone  | 872-50-4                     | 212-828-1                   | N.D.              | 0.05                | Toxic for Reproduction               |
| 2-ethoxyethyl acetate   | 111-15-9                     | 203-839-2                   | N.D.              | 0.05                | Toxic for Reproduction               |
| 1,2-benzenedicarboxylic acid, di-C6-8-branched alkyl esters, C7-rich  | 71888-89-6                   | 276-158-1                   | N.D.              | 0.05                | Toxic for Reproduction               |
| 1,2-benzenedicarboxylic acid, di-C7-11-branched and linear alkyl esters   | 68515-42-4                   | 271-084-6                   | N.D.              | 0.05                | Toxic for Reproduction               |
| 1,2,3-trichloropropane  | 96-18-4                      | 202-486-1                   | N.D.              | 0.05                | Carcinogen<br>Toxic for Reproduction |
| Hydrazine   | 7803-57-8<br>302-01-2        | 206-114-9                   | N.D.              | 0.05                | Carcinogen                           |
| Strontium chromate*   | 7789-06-2                    | 232-142-6                   | N.D.              | 0.005               | Carcinogen                           |

This document is issued by the Company subject to its General Conditions of Service printed overleaf, available on request or accessible at <http://www.sgs.com/en/Terms-and-Conditions.aspx> and, for electronic format documents, subject to Terms and Conditions for Electronic Documents at [www.sgs.com/terms\\_e-document.htm](http://www.sgs.com/terms_e-document.htm). Attention is drawn to the limitation of liability, indemnification and jurisdiction issues defined therein. Any holder of this document is advised that information contained hereon reflects the Company's findings at the time of its intervention only and within the limits of Client's instructions, if any. The Company's sole responsibility is to its Client and this document does not exonerate parties to a transaction from exercising all their rights and obligations under the transaction documents. This document cannot be reproduced except in full, without prior written approval of the Company. Any unauthorized alteration, forgery or falsification of the content or appearance of this document is unlawful and offenders may be prosecuted to the fullest extent of the law. Unless otherwise stated the results shown in this test report refer only to the sample(s).

SGS Korea Co., Ltd.

322, The O valley, 75, LS-ro, Dongan-gu, Anyang-si, Gyeonggi-do, Korea 431-080  
t +82 (0)31 4608 000 f +82 (0)31 4608 059 <http://www.sgsgroup.kr>

Member of the SGS Group (Société Générale de Surveillance)

F401 Version 2

| Substance Name  | CAS number               | EC number  | Concentration (%) | Reporting Limit (%) | Classification   |
|---|--------------------------|------------|-------------------|---------------------|--|
| 1,2-Dichloroethane  | 107-06-2                 | 203-458-1  | N.D.              | 0.05                | Carcinogenic   |
| 2,2'-dichloro-4,4'-methylenedianiline (MOCA)                            | 101-14-4                 | 202-918-9  | N.D.              | 0.05                | Carcinogenic   |
| 2-Methoxyaniline<br>o-Anisidine   | 90-04-0                  | 201-963-1  | N.D.              | 0.05                | Carcinogenic   |
| 4-(1,1,3,3-tetramethylbutyl) phenol, (4-tert-Octylphenol)               | 140-66-9                 | 205-426-2  | N.D.              | 0.05                | Equivalent level of concern having probable serious effects to the environment |
| Aluminosilicate Refractory Ceramic Fibres* (RCF)                        | 650-017-00-8 (Index no.) | -          | N.D.              | 0.005               | Carcinogenic   |
| Arsenic acid*   | 7778-39-4                | 231-901-9  | N.D.              | 0.005               | Carcinogenic   |
| Bis(2-methoxyethyl) ether   | 111-96-6                 | 203-924-4  | N.D.              | 0.05                | Toxic for reproduction   |
| Bis(2-methoxyethyl) phthalate   | 117-82-8                 | 204-212-6- | N.D.              | 0.05                | Toxic for reproduction   |
| Calcium arsenate*   | 7778-44-1                | 231-904-5  | N.D.              | 0.005               | Carcinogenic   |
| Dichromium tris(chromate)*  | 24613-89-6               | 246-356-2  | N.D.              | 0.005               | Carcinogenic   |
| Formaldehyde, oligomeric reaction products with aniline (technical MDA) | 25214-70-4               | 500-036-1  | N.D.              | 0.05                | Carcinogenic   |
| Lead diazide*   | 13424-46-9               | 236-542-1  | N.D.              | 0.005               | Toxic for reproduction   |
| Lead dipicrate*   | 6477-64-1                | 229-335-2  | N.D.              | 0.005               | Toxic for reproduction   |
| Lead styphnate*   | 15245-44-0               | 239-290-2  | N.D.              | 0.005               | Toxic for reproduction   |
| N,N-dimethylacetamide (DMAC)  | 127-19-5                 | 204-826-4  | N.D.              | 0.05                | Toxic for reproduction   |
| Pentazinc chromate octahydroxide*                                       | 49663-84-5               | 256-418-0  | N.D.              | 0.005               | Carcinogenic   |
| Phenolphthalein   | 77-09-8                  | 201-004-7  | N.D.              | 0.05                | Carcinogenic   |
| Potassium hydroxyoctaoxidizincatedichromate*                            | 11103-86-9               | 234-329-8  | N.D.              | 0.005               | Carcinogenic   |
| Trilead diarsenate*   | 3687-31-8                | 222-979-5  | N.D.              | 0.005               | Carcinogenic<br>Toxic for reproduction   |

This document is issued by the Company subject to its General Conditions of Service printed overleaf, available on request or accessible at <http://www.sgs.com/en/Terms-and-Conditions.aspx> and, for electronic format documents, subject to Terms and Conditions for Electronic Documents at [www.sgs.com/terms\\_e-document.htm](http://www.sgs.com/terms_e-document.htm). Attention is drawn to the limitation of liability, indemnification and jurisdiction issues defined therein. Any holder of this document is advised that information contained hereon reflects the Company's findings at the time of its intervention only and within the limits of Client's instructions, if any. The Company's sole responsibility is to its Client and this document does not exonerate parties to a transaction from exercising all their rights and obligations under the transaction documents. This document cannot be reproduced except in full, without prior written approval of the Company. Any unauthorized alteration, forgery or falsification of the content or appearance of this document is unlawful and offenders may be prosecuted to the fullest extent of the law. Unless otherwise stated the results shown in this test report refer only to the sample(s).

SGS Korea Co., Ltd.

322, The O valley, 76, LS-ro, Dongan-gu, Anyang-si, Gyeonggi-do, Korea 431-080  
t +82 (0)31 4608 000 f +82 (0)31 4608 059 <http://www.sgsgroup.kr>

Member of the SGS Group (Société Générale de Surveillance)

F401 Version 2

## Test Report

No. F690101/LF-CTSAYAA14-58066

Issued Date: 2014. 12. 26

Page 8 of 19

| Substance Name   | CAS number               | EC number | Concentration (%) | Reporting Limit (%) | Classification         |
|--|--------------------------|-----------|-------------------|---------------------|------------------------|
| Zirconia Aluminosilicate Refractory Ceramic Fibres (Zr-RCF)*   | 650-017-00-8 (Index no.) | -         | N.D.              | 0.005               | Carcinogenic           |
| 1,2-bis(2-methoxyethoxy) ethane (TEGDME; triglyme)   | 112-49-2                 | 203-977-3 | N.D.              | 0.05                | Toxic for reproduction |
| 1,2-dimethoxyethane; ethylene glycol dimethyl ether (EGDME)  | 110-71-4                 | 203-794-9 | N.D.              | 0.05                | Toxic for reproduction |
| Diboron trioxide*  | 1303-86-2                | 215-125-8 | N.D.              | 0.005               | Toxic for reproduction |
| Formamide  | 75-12-7                  | 200-842-0 | N.D.              | 0.05                | Toxic for reproduction |
| Lead(II) bis(methanesulfonate)*  | 17570-76-2               | 401-750-5 | N.D.              | 0.005               | Toxic for reproduction |
| TGIC(1,3,5-tris (oxiranyl methyl)-1,3,5-triazine-2,4,6(1H,3H,5H)-trione)   | 2451-62-9                | 219-514-3 | N.D.              | 0.05                | Mutagenic              |
| $\beta$ -TGIC (1,3,5-tris[(2S and 2R)-2,3-epoxypropyl]-1,3,5-triazine-2,4,6-(1H,3H,5H)-trione)**   | 59653-74-6               | 423-400-0 | N.D.              | 0.05                | Mutagenic              |
| 4,4'-bis(dimethylamino) benzophenone (Michler's ketone)  | 90-94-8                  | 202-027-5 | N.D.              | 0.05                | Carcinogenic           |
| N,N,N',N'-tetramethyl-4,4'-methylenedianiline (Michler's base)   | 101-61-1                 | 202-959-2 | N.D.              | 0.05                | Carcinogenic           |
| [4-[4,4'-bis(dimethylamino) benzhydrylidene]cyclohexa-2,5-dien-1-ylidene] dimethylammonium chloride (C.I. Basic Violet 3)                | 548-62-9                 | 208-953-6 | N.D.              | 0.05                | Carcinogenic           |
| [4-[[4-anilino-1-naphthyl][4-(dimethylamino)phenyl]methylenecyclohexa-2,5-dien-1-ylidene] dimethylammonium chloride (C.I. Basic Blue 26) | 2580-56-5                | 219-943-6 | N.D.              | 0.05                | Carcinogenic           |
| $\alpha,\alpha$ -Bis[4-(dimethylamino) phenyl]-4 (phenylamino) naphthalene-1-methanol (C.I. Solvent Blue 4)                              | 6786-83-0                | 229-851-8 | N.D.              | 0.05                | Carcinogenic           |
| 4,4'-bis(dimethylamino)-4''-(methylamino)trityl alcohol  | 561-41-1                 | 209-218-2 | N.D.              | 0.05                | Carcinogenic           |

This document is issued by the Company subject to its General Conditions of Service printed overleaf, available on request or accessible at <http://www.sgs.com/en/Terms-and-Conditions.aspx> and, for electronic format documents, subject to Terms and Conditions for Electronic Documents at [www.sgs.com/terms\\_e-document.htm](http://www.sgs.com/terms_e-document.htm). Attention is drawn to the limitation of liability, indemnification and jurisdiction issues defined therein. Any holder of this document is advised that information contained hereon reflects the Company's findings at the time of its intervention only and within the limits of Client's instructions, if any. The Company's sole responsibility is to its Client and this document does not exonerate parties to a transaction from exercising all their rights and obligations under the transaction documents. This document cannot be reproduced except in full, without prior written approval of the Company. Any unauthorized alteration, forgery or falsification of the content or appearance of this document is unlawful and offenders may be prosecuted to the fullest extent of the law. Unless otherwise stated the results shown in this test report refer only to the sample(s).

SGS Korea Co., Ltd.

322, The O valley, 75, LS-ro, Dongan-gu, Anyang-si, Gyeonggi-do, Korea 431-080  
t +82 (0)31 4608 000 f +82 (0)31 4608 059 <http://www.sgsgroup.kr>

Member of the SGS Group (Société Générale de Surveillance)

F401 Version 2

| Substance Name   | CAS number | EC number | Concentration (%) | Reporting Limit (%) | Classification  |
|--|------------|-----------|-------------------|---------------------|---|
| Bis(pentabromophenyl) ether (DecaBDE)  | 1163-19-5  | 214-604-9 | N.D.              | 0.05                | PBT<br>vPvB   |
| Pentacosfluorotridecanoic acid   | 72629-94-8 | 276-745-2 | N.D.              | 0.05                | vPvB  |
| Tricosfluorododecanoic acid  | 307-55-1   | 206-203-2 | N.D.              | 0.05                | vPvB  |
| Henicosfluoroundecanoic acid   | 2058-94-8  | 218-165-4 | N.D.              | 0.05                | vPvB  |
| Heptacosfluorotetradecanoic acid   | 376-06-7   | 206-803-4 | N.D.              | 0.05                | vPvB  |
| 4-(1,1,3,3-tetramethylbutyl) phenol, ethoxylated - covering well-defined substances and UVCB substances, polymers and homologues   | -          | -         | N.D.              | 0.05                | Equivalent level of concern - probable serious effects on the environment |
| 4-Nonylphenol, branched and linear – substances with a linear and/or branched alkyl chain with a carbon number of 9 covalently bound in position 4 to phenol, covering also UVCB- and well-defined substances which include any of the individual isomers or a combination thereof | -          | -         | N.D.              | 0.05                | Equivalent level of concern - probable serious effects on the environment |
| Diazene-1,2-dicarboxamide (C,C'-azodi(formamide))  | 123-77-3   | 204-650-8 | N.D.              | 0.05                | Equivalent level of concern - probable serious effects on human health    |
| Cyclohexane-1,2-dicarboxylic anhydride (Hexahydrophthalic anhydride - HHPA)  | 85-42-7    | 201-604-9 | N.D.              | 0.05                | Equivalent level of concern - probable serious effects on human health    |

This document is issued by the Company subject to its General Conditions of Service printed overleaf, available on request or accessible at <http://www.sgs.com/so/Terms-and-Conditions.aspx> and, for electronic format documents, subject to Terms and Conditions for Electronic Documents at [www.sgs.com/terms\\_e-document.htm](http://www.sgs.com/terms_e-document.htm). Attention is drawn to the limitation of liability, indemnification and jurisdiction issues defined therein. Any holder of this document is advised that information contained hereon reflects the Company's findings at the time of its intervention only and within the limits of Client's instructions, if any. The Company's sole responsibility is to its Client and this document does not exonerate parties to a transaction from exercising all their rights and obligations under the transaction documents. This document cannot be reproduced except in full, without prior written approval of the Company. Any unauthorized alteration, forgery or falsification of the content or appearance of this document is unlawful and offenders may be prosecuted to the fullest extent of the law. Unless otherwise stated the results shown in this test report refer only to the sample(s).

SGS Korea Co., Ltd.

322, The O valley, 76, LS-ro, Dongan-gu, Anyang-si, Gyeonggi-do, Korea 431-080  
t +82 (0)31 4608 000 f +82 (0)31 4608 059 <http://www.sgsgroup.kr>

Member of the SGS Group (Société Générale de Surveillance)

F401 Version 2



| Substance Name  | CAS number  | EC number   | Concentration (%) | Reporting Limit (%) | Classification   |
|---|---|---|-------------------|---------------------|--|
| Hexahydromethylphthalic anhydride, Hexahydro-4-methylphthalic anhydride, Hexahydro-1-methylphthalic anhydride, Hexahydro-3-methylphthalic anhydride | 25550-51-0,<br>19438-60-9,<br>48122-14-1,<br>57110-29-9 | 247-094-1,<br>243-072-0,<br>256-356-4,<br>260-566-1 | N.D.              | 0.05                | Equivalent level of concern - probable serious effects on human health   |
| Methoxy acetic acid   | 625-45-6  | 210-894-6   | N.D.              | 0.05                | Toxic for reproduction equivalent level of concern -probable serious effects on human health and the environment |
| 1,2-Benzenedicarboxylic acid, dipentylester, branched and linear  | 84777-06-0  | 284-032-2   | N.D.              | 0.05                | Toxic for reproduction   |
| Diisopentylphthalate (DIPP)   | 605-50-5  | 210-088-4   | N.D.              | 0.05                | Toxic for reproduction   |
| N-pentyl-isopentylphthalate   | -   | -   | N.D.              | 0.05                | Toxic for reproduction   |
| 1,2-Diethoxyethane  | 629-14-1  | 211-076-1   | N.D.              | 0.05                | Toxic for reproduction   |
| N,N-dimethylformamide; dimethyl formamide   | 68-12-2   | 200-679-5   | N.D.              | 0.05                | Toxic for reproduction   |
| Dibutyltin dichloride (DBT)   | 683-18-1  | 211-670-0   | N.D.              | 0.05                | Toxic for reproduction   |
| Acetic acid, lead salt, basic*  | 51404-69-4  | 257-175-3   | N.D.              | 0.005               | Toxic for reproduction   |
| Basic lead carbonate (trilead bis(carbonate)dihydroxide)*   | 1319-46-6   | 215-290-6   | N.D.              | 0.005               | Toxic for reproduction   |
| Lead oxide sulfate (basic lead sulfate)*  | 12036-76-9  | 234-853-7   | N.D.              | 0.005               | Toxic for reproduction   |
| [Phthalato(2-)]dioxotrilead (dibasic lead phthalate)*   | 69011-06-9  | 273-688-5   | N.D.              | 0.005               | Toxic for reproduction   |

This document is issued by the Company subject to its General Conditions of Service printed overleaf, available on request or accessible at <http://www.sgs.com/en/Terms-and-Conditions.aspx> and, for electronic format documents, subject to Terms and Conditions for Electronic Documents at [www.sgs.com/terms\\_e-document.htm](http://www.sgs.com/terms_e-document.htm). Attention is drawn to the limitation of liability, indemnification and jurisdiction issues defined therein. Any holder of this document is advised that information contained hereon reflects the Company's findings at the time of its intervention only and within the limits of Client's instructions, if any. The Company's sole responsibility is to its Client and this document does not exonerate parties to a transaction from exercising all their rights and obligations under the transaction documents. This document cannot be reproduced except in full, without prior written approval of the Company. Any unauthorized alteration, forgery or falsification of the content or appearance of this document is unlawful and offenders may be prosecuted to the fullest extent of the law. Unless otherwise stated the results shown in this test report refer only to the sample(s).

SGS Korea Co., Ltd.

322, The O valley, 76, LS-ro, Dongan-gu, Anyang-si, Gyeonggi-do, Korea 431-080  
 t +82 (0)31 4608 000 f +82 (0)31 4608 059 <http://www.sgsgroup.kr>

Member of the SGS Group (Société Générale de Surveillance)

F401 Version 2

| Substance Name                         | CAS number | EC number | Concentration (%) | Reporting Limit (%) | Classification         |
|--|------------|-----------|-------------------|---------------------|------------------------|
| Dioxobis(stearato)trilead*             | 12578-12-0 | 235-702-8 | N.D.              | 0.005               | Toxic for reproduction |
| Fatty acids, C16-18, lead salts*       | 91031-62-8 | 292-966-7 | N.D.              | 0.005               | Toxic for reproduction |
| Lead bis(tetrafluoroborate)*           | 13814-96-5 | 237-486-0 | N.D.              | 0.005               | Toxic for reproduction |
| Lead cyanamidate*                      | 20837-86-9 | 244-073-9 | N.D.              | 0.005               | Toxic for reproduction |
| Lead dinitrate*                        | 10099-74-8 | 233-245-9 | N.D.              | 0.005               | Toxic for reproduction |
| Lead oxide (lead monoxide)*            | 1317-36-8  | 215-267-0 | N.D.              | 0.005               | Toxic for reproduction |
| Lead tetroxide (orange lead)*          | 1314-41-6  | 215-235-6 | N.D.              | 0.005               | Toxic for reproduction |
| Lead titanium trioxide*                | 12060-00-3 | 235-038-9 | N.D.              | 0.005               | Toxic for reproduction |
| Lead Titanium Zirconium Oxide*         | 12626-81-2 | 235-727-4 | N.D.              | 0.005               | Toxic for reproduction |
| Pentalead tetraoxide sulphate*         | 12065-90-6 | 235-067-7 | N.D.              | 0.005               | Toxic for reproduction |
| Pyrochlore, antimony lead yellow*      | 8012-00-8  | 232-382-1 | N.D.              | 0.005               | Toxic for reproduction |
| Silicic acid, barium salt, lead-doped* | 68784-75-8 | 272-271-5 | N.D.              | 0.005               | Toxic for reproduction |
| Silicic acid, lead salt*               | 11120-22-2 | 234-363-3 | N.D.              | 0.005               | Toxic for reproduction |
| Sulfurous acid, lead salt, dibasic*    | 62229-08-7 | 263-467-1 | N.D.              | 0.005               | Toxic for reproduction |
| Tetraethyllead*                        | 78-00-2    | 201-075-4 | N.D.              | 0.005               | Toxic for reproduction |
| Tetralead trioxide sulphate*           | 12202-17-4 | 235-380-9 | N.D.              | 0.005               | Toxic for reproduction |

This document is issued by the Company subject to its General Conditions of Service printed overleaf, available on request or accessible at <http://www.sgs.com/en/Terms-and-Conditions.aspx>; and, for electronic format documents, subject to Terms and Conditions for Electronic Documents at [www.sgs.com/terms\\_e-document.htm](http://www.sgs.com/terms_e-document.htm). Attention is drawn to the limitation of liability, indemnification and jurisdiction issues defined therein. Any holder of this document is advised that information contained hereon reflects the Company's findings at the time of its intervention only and within the limits of Client's instructions, if any. The Company's sole responsibility is to its Client and this document does not exonerate parties to a transaction from exercising all their rights and obligations under the transaction documents. This document cannot be reproduced except in full, without prior written approval of the Company. Any unauthorized alteration, forgery or falsification of the content or appearance of this document is unlawful and offenders may be prosecuted to the fullest extent of the law. Unless otherwise stated the results shown in this test report refer only to the sample(s).

SGS Korea Co., Ltd.

322, The O valley, 76, LS-ro, Dongan-gu, Anyang-si, Gyeonggi-do, Korea 431-080  
t +82 (0)31 4608 000 f +82 (0)31 4608 059 <http://www.sgsgroup.kr>

Member of the SGS Group (Societas Internationalis de Societas)

| Substance Name                                     | CAS number  | EC number | Concentration (%) | Reporting Limit (%) | Classification            |
|--|-------------|-----------|-------------------|---------------------|---------------------------|
| Trilead dioxide phosphonate*                       | 12141-20-7  | 235-252-2 | N.D.              | 0.005               | Toxic for reproduction    |
| Furan  | 110-00-9    | 203-727-3 | N.D.              | 0.05                | Carcinogenic              |
| Propylene oxide; 1,2-epoxypropane; methyloxirane   | 75-56-9     | 200-879-2 | N.D.              | 0.05                | Carcinogenic<br>Mutagenic |
| Diethyl sulphate                                   | 64-67-5     | 200-589-6 | N.D.              | 0.05                | Carcinogenic<br>Mutagenic |
| Dimethyl sulphate                                  | 77-78-1     | 201-058-1 | N.D.              | 0.05                | Carcinogenic              |
| 3-ethyl-2-methyl-2-(3-methylbutyl)-1,3-oxazolidine | 143860-04-2 | 421-150-7 | N.D.              | 0.05                | Toxic for reproduction    |
| Dinoseb  | 88-85-7     | 201-861-7 | N.D.              | 0.05                | Toxic for reproduction    |
| 4,4'-methylenedi-o-toluidine                       | 838-88-0    | 212-658-8 | N.D.              | 0.05                | Carcinogenic              |
| 4,4'-oxydianiline and its salts                    | 101-80-4    | 202-977-0 | N.D.              | 0.05                | Carcinogenic<br>Mutagenic |
| 4-Aminoazobenzene;<br>4-Phenylazoaniline           | 60-09-3     | 200-453-6 | N.D.              | 0.05                | Carcinogenic              |
| 4-methyl-m-phenylenediamine (2,4-toluene-diamine)  | 95-80-7     | 202-453-1 | N.D.              | 0.05                | Carcinogenic              |
| 6-methoxy-m-toluidine (p-cresidine)                | 120-71-8    | 204-419-1 | N.D.              | 0.05                | Carcinogenic              |
| Biphenyl-4-ylamine                                 | 92-67-1     | 202-177-1 | N.D.              | 0.05                | Carcinogenic              |
| o-aminoazotoluene                                  | 97-56-3     | 202-591-2 | N.D.              | 0.05                | Carcinogenic              |
| o-Toluidine; 2-Aminotoluene                        | 95-53-4     | 202-429-0 | N.D.              | 0.05                | Carcinogenic              |
| N-methylacetamide                                  | 79-16-3     | 201-182-6 | N.D.              | 0.05                | Toxic for reproduction    |
| 1-bromopropane;<br>n-propyl bromide                | 106-94-5    | 203-445-0 | N.D.              | 0.05                | Toxic for reproduction    |

This document is issued by the Company subject to its General Conditions of Service printed overleaf, available on request or accessible at <http://www.sgs.com/en/Terms-and-Conditions.aspx> and, for electronic format documents, subject to Terms and Conditions for Electronic Documents at [www.sgs.com/terms\\_e-document.htm](http://www.sgs.com/terms_e-document.htm). Attention is drawn to the limitation of liability, indemnification and jurisdiction issues defined therein. Any holder of this document is advised that information contained herein reflects the Company's findings at the time of its intervention only and within the limits of Client's instructions, if any. The Company's sole responsibility is to its Client and this document does not exonerate parties to a transaction from exercising all their rights and obligations under the transaction documents. This document cannot be reproduced except in full, without prior written approval of the Company. Any unauthorized alteration, forgery or falsification of the content or appearance of this document is unlawful and offenders may be prosecuted to the fullest extent of the law. Unless otherwise stated the results shown in this test report refer only to the sample(s).

SGS Korea Co., Ltd.

322, The O valley, 75, LS-ro, Dongan-gu, Anyang-si, Gyeonggi-do, Korea 431-080  
 t +82 (0)31 4608 000 f +82 (0)31 4608 059 <http://www.sgsgroup.kr>

Member of the SGS Group (Société Générale de Surveillance)

F401 Version 2

| Substance Name  | CAS number | EC number | Concentration (%) | Reporting Limit (%) | Classification   |
|---|------------|-----------|-------------------|---------------------|--|
| Cadmium   | 7440-43-9  | 231-152-8 | N.D.              | 0.005               | Carcinogenic   |
| Cadmium oxide*  | 1306-19-0  | 215-146-2 | N.D.              | 0.005               | Carcinogenic   |
| Dipentyl phthalate (DPP)  | 131-18-0   | 205-017-9 | N.D.              | 0.05                | Toxic for reproduction   |
| 4-Nonylphenol, branched and linear, ethoxylated [substances with a linear and/or branched alkyl chain with a carbon number of 9 covalently bound in position 4 to phenol, ethoxylated covering UVCB- and well-defined substances, polymers and homologues, which include any of the individual isomers and/or combinations thereof] | -          | -         | N.D.              | 0.05                | Equivalent level of concern having probable serious effects to the environment |
| Ammonium pentadecafluorooctanoate (APFO)  | 3825-26-1  | 223-320-4 | N.D.              | 0.05                | Toxic for reproduction   |
| Pentadecafluorooctanoic acid (PFOA)   | 335-67-1   | 206-397-9 | N.D.              | 0.05                | Toxic for reproduction   |

This document is issued by the Company subject to its General Conditions of Service printed overleaf, available on request or accessible at <http://www.sgs.com/en/Terms-and-Conditions.aspx> and, for electronic format documents, subject to Terms and Conditions for Electronic Documents at [www.sgs.com/terms\\_e-document.htm](http://www.sgs.com/terms_e-document.htm). Attention is drawn to the limitation of liability, indemnification and jurisdiction issues defined therein. Any holder of this document is advised that information contained hereon reflects the Company's findings at the time of its intervention only and within the limits of Client's instructions, if any. The Company's sole responsibility is to its Client and this document does not exonerate parties to a transaction from exercising all their rights and obligations under the transaction documents. This document cannot be reproduced except in full, without prior written approval of the Company. Any unauthorized alteration, forgery or falsification of the content or appearance of this document is unlawful and offenders may be prosecuted to the fullest extent of the law. Unless otherwise stated the results shown in this test report refer only to the sample(s).

SGS Korea Co., Ltd.

322, The O valley, 76, LS-ro, Dongan-gu, Anyang-si, Gyeonggi-do, Korea 431-080  
 t +82 (0)31 4608 000 f +82 (0)31 4608 059 <http://www.sgsgroup.kr>

Member of the SGS Group (Société Générale de Surveillance)

F401 Version 2

| Substance Name   | CAS number | EC number | Concentration (%) | Reporting Limit (%) | Classification  |
|--|------------|-----------|-------------------|---------------------|---|
| Dihexyl phthalate  | 84-75-3    | 201-559-5 | N.D.              | 0.05                | Toxic for reproduction  |
| Trixylyl phosphate   | 25155-23-1 | 246-677-8 | N.D.              | 0.05                | Toxic for reproduction  |
| Imidazolidine-2-thione;<br>2-imidazoline-2-thiol   | 96-45-7    | 202-506-9 | N.D.              | 0.05                | Toxic for reproduction  |
| Disodium 4-amino-3-[[4'-[[2,4-diaminophenyl]azo][1,1'-biphenyl]-4-yl]azo]-5-hydroxy-6-(phenylazo)naphthalene-2,7-disulphonate (C.I. Direct Black 38) | 1937-37-7  | 217-710-3 | N.D.              | 0.05                | Carcinogenic  |
| Disodium 3,3'-[[1,1'-biphenyl]-4,4'-diylbis(azo)]bis(4-aminonaphthalene-1-sulphonate) (C.I. Direct Red 28)   | 573-58-0   | 209-358-4 | N.D.              | 0.05                | Carcinogenic  |
| Cadmium sulphide*  | 1306-23-6  | 215-147-8 | N.D.              | 0.005               | Carcinogenic<br>Equivalent level of concern having probable serious effects to human health |
| Lead di(acetate)*  | 301-04-2   | 206-104-4 | N.D.              | 0.005               | Toxic for reproduction  |

This document is issued by the Company subject to its General Conditions of Service printed overleaf, available on request or accessible at <http://www.sgs.com/en/terms-and-conditions.aspx> and, for electronic format documents, subject to Terms and Conditions for Electronic Documents at [www.sgs.com/terms\\_e-document.htm](http://www.sgs.com/terms_e-document.htm). Attention is drawn to the limitation of liability, indemnification and jurisdiction issues defined therein. Any holder of this document is advised that information contained hereon reflects the Company's findings at the time of its intervention only and within the limits of Client's instructions, if any. The Company's sole responsibility is to its Client and this document does not exonerate parties to a transaction from exercising all their rights and obligations under the transaction documents. This document cannot be reproduced except in full, without prior written approval of the Company. Any unauthorized alteration, forgery or falsification of the content or appearance of this document is unlawful and offenders may be prosecuted to the fullest extent of the law. Unless otherwise stated the results shown in this test report refer only to the sample(s).

SGS Korea Co., Ltd.

322, The O valley, 75, LS-ro, Dongan-gu, Anyang-si, Gyeonggi-do, Korea 431-080  
 t +82 (0)31 4608 000 f +82 (0)31 4608 059 <http://www.sgs-group.kr>

Member of the SGS Group (Société Générale de Surveillance)

| Substance Name   | CAS number | EC number              | Concentration (%) | Reporting Limit (%) | Classification   |
|--|------------|------------------------|-------------------|---------------------|--|
| 1,2-Benzenedicarboxylic acid, dihexyl ester, branched and linear | 68515-50-4 | 271-093-5              | N.D.              | 0.05                | Toxic for reproduction   |
| Cadmium chloride*  | 10108-64-2 | 233-296-7              | N.D.              | 0.005               | Carcinogenic<br>Mutagenic<br>Toxic for Reproduction<br>Equivalent level of concern having probable serious effects to human health |
| Sodium perborate*;<br>perboric acid, sodium salt*                | -          | 239-172-9<br>234-390-0 | N.D.              | 0.005               | Toxic for reproduction   |
| Sodium peroxometaborate*   | 7632-04-4  | 231-556-4              | N.D.              | 0.005               | Toxic for reproduction   |

This document is issued by the Company subject to its General Conditions of Service printed overleaf, available on request or accessible at <http://www.sgs.com/en/Terms-and-Conditions.aspx> and, for electronic format documents, subject to Terms and Conditions for Electronic Documents at [www.sgs.com/terms\\_e-document.htm](http://www.sgs.com/terms_e-document.htm). Attention is drawn to the limitation of liability, indemnification and jurisdiction issues defined therein. Any holder of this document is advised that information contained hereon reflects the Company's findings at the time of its intervention only and within the limits of Client's instructions, if any. The Company's sole responsibility is to its Client and this document does not exonerate parties to a transaction from exercising all their rights and obligations under the transaction documents. This document cannot be reproduced except in full, without prior written approval of the Company. Any unauthorized alteration, forgery or falsification of the content or appearance of this document is unlawful and offenders may be prosecuted to the fullest extent of the law. Unless otherwise stated the results shown in this test report refer only to the sample(s).

SGS Korea Co., Ltd.

322, The O valley, 76, LS-ro, Dongan-gu, Anyang-si, Gyeonggi-do, Korea 431-080  
t +82 (0)31 4608 000 f +82 (0)31 4608 059 <http://www.sgs-group.kr>

Member of the SGS Group (Société Générale de Surveillance)

| Substance Name   | CAS number                | EC number | Concentration (%) | Reporting Limit (%) | Classification  |
|--|---------------------------|-----------|-------------------|---------------------|---|
| 2-benzotriazol-2-yl-4,6-di-tert-butylphenol (UV-320)   | 3846-71-7                 | 223-346-6 | N.D               | 0.05                | PBT<br>vPvB   |
| 2-(2H-benzotriazol-2-yl)-4,6-ditertpentylphenol (UV-328)   | 25973-55-1                | 247-384-8 | N.D               | 0.05                | PBT<br>vPvB   |
| 2-ethylhexyl 10-ethyl-4,4-dioctyl-7-oxo-8-oxa-3,5-dithia-4-stannatetradecanoate (DOTE)   | 15571-58-1                | 239-622-4 | N.D               | 0.05                | Toxic for Reproduction  |
| Reaction mass of 2-ethylhexyl 10-ethyl-4,4-dioctyl-7-oxo-8-oxa-3,5-dithia-4-stannatetradecanoate and 2-ethylhexyl 10-ethyl-4-[[2-((2-ethylhexyl)oxy)-2-oxoethyl]thio]-4-octyl-7-oxo-8-oxa-3,5-dithia-4-stannatetradecanoate (reaction mass of DOTE and MOTE) | -                         | -         | N.D               | 0.05                | Toxic for Reproduction  |
| Cadmium fluoride   | 7790-79-6                 | 232-222-0 | N.D               | 0.005               | Carcinogenic<br>Mutagenic<br>Toxic for Reproduction<br>Equivalent level of concern having probable serious effects to human health  |
| Cadmium sulphate   | 10124-36-4;<br>31119-53-6 | 233-331-6 | N.D               | 0.005               | Carcinogenic<br>Mutagenic;<br>Toxic for Reproduction<br>Equivalent level of concern having probable serious effects to human health |

This document is issued by the Company subject to its General Conditions of Service printed overleaf, available on request or accessible at <http://www.sgs.com/en/Terms-and-Conditions.aspx> and, for electronic format documents, subject to Terms and Conditions for Electronic Documents at [www.sgs.com/terms\\_e-document.htm](http://www.sgs.com/terms_e-document.htm). Attention is drawn to the limitation of liability, indemnification and jurisdiction issues defined therein. Any holder of this document is advised that information contained hereon reflects the Company's findings at the time of its intervention only and within the limits of Client's instructions, if any. The Company's sole responsibility is to its Client and this document does not exonerate parties to a transaction from exercising all their rights and obligations under the transaction documents. This document cannot be reproduced except in full, without prior written approval of the Company. Any unauthorized alteration, forgery or falsification of the content or appearance of this document is unlawful and offenders may be prosecuted to the fullest extent of the law. Unless otherwise stated the results shown in this test report refer only to the sample(s).

SGS Korea Co., Ltd.

322, The O valley, 76, LS-ro, Dongan-gu, Anyang-si, Gyeonggi-do, Korea 431-080  
 t +82 (0)31 4608 000 f +82 (0)31 4608 059 <http://www.sgs-group.kr>

Member of the SGS Group (Société Générale de Surveillance)

## Note:

1. RL = Reporting Limit
2. N.D. = Not detected (lower than RL)

N.A. = Not applicable for respective material type.

The submitted sample was found to contain significant amount of specific element(s) of SVHC. Upon further test verification and also information provided from client, the possibility that the element(s) content originate from SVHC is very unlikely, even though their presence cannot be exclude entirely. It may be assumed that the detected element(s) have a non-SVHC source.

3. Definition of classification is listed in Appendix A of this report in accordance with 67/548/EEC and Regulation (EC) No 1907/2006. For detail information, Detail explanation is available at the following link:  
<http://echa.europa.eu/web/quest/candidate-list-table> (Candidate list)  
[http://echa.europa.eu/proposals-to-identify-substances-of-very-high-concern-previous-consultations?p\\_p\\_id=substancetypelist\\_WAR\\_substanceportlet&p\\_p\\_lifecycle=0&p\\_p\\_state=normal&p\\_p\\_mode=view&p\\_p\\_col\\_id=column-1&p\\_p\\_col\\_pos=2&p\\_p\\_col\\_count=4&substancetypeis](http://echa.europa.eu/proposals-to-identify-substances-of-very-high-concern-previous-consultations?p_p_id=substancetypelist_WAR_substanceportlet&p_p_lifecycle=0&p_p_state=normal&p_p_mode=view&p_p_col_id=column-1&p_p_col_pos=2&p_p_col_count=4&substancetypeis)  
 (Proposals to identify SVHC consultations)

4. \*.The test result is based on the calculation of selected element(s) / marker(s) and to the worst-case scenario. For detail information, please refer to the SGS REACH website: [www.reach.sgs.com/substance-of-very-high-concern-analysis-information-page.htm](http://www.reach.sgs.com/substance-of-very-high-concern-analysis-information-page.htm)

The client is advised to review the chemical formulation to ascertain above metal substances present in the article.

RL = 0.005% is evaluated for element (i.e. cobalt, arsenic, lead, sodium, chromium, chromium(VI), silicon, aluminum, zirconium, boron, and potassium respectively), except molybdenum RL=0.0005%

0.1% (w/w) = 1,000 ppm = 1,000 mg/kg

5. \*\*.β-TGIC is one of the isomers for TGIC compounds and hence, tested together. The reported test result is based the proposed ratio as according to ECHA dossier.

This document is issued by the Company subject to its General Conditions of Service printed overleaf, available on request or accessible at <http://www.sgs.com/en/Terms-and-Conditions.aspx> and, for electronic format documents, subject to Terms and Conditions for Electronic Documents at [www.sgs.com/terms\\_e-document.htm](http://www.sgs.com/terms_e-document.htm). Attention is drawn to the limitation of liability, indemnification and jurisdiction issues defined therein. Any holder of this document is advised that information contained herein reflects the Company's findings at the time of its intervention only and within the limits of Client's instructions, if any. The Company's sole responsibility is to its Client and this document does not exonerate parties to a transaction from exercising all their rights and obligations under the transaction documents. This document cannot be reproduced except in full, without prior written approval of the Company. Any unauthorized alteration, forgery or falsification of the content or appearance of this document is unlawful and offenders may be prosecuted to the fullest extent of the law. Unless otherwise stated the results shown in this test report refer only to the sample(s).

SGS Korea Co., Ltd.

322, The O valley, 75, LB-ro, Dongan-gu, Anyang-si, Gyeonggi-do, Korea 431-080  
 t +82 (0)31 4608 000 f +82 (0)31 4608 059 <http://www.sgsgroup.kr>

Member of the SGS Group (Société Générale de Surveillance)





\*\*\* End of Report \*\*\*

This document is issued by the Company subject to its General Conditions of Service printed overleaf, available on request or accessible at <http://www.sgs.com/en/Terms-and-Conditions.aspx> and, for electronic format documents, subject to Terms and Conditions for Electronic Documents at [www.sgs.com/terms\\_e-document.htm](http://www.sgs.com/terms_e-document.htm). Attention is drawn to the limitation of liability, indemnification and jurisdiction issues defined therein. Any holder of this document is advised that information contained herein reflects the Company's findings at the time of its intervention only and within the limits of Client's instructions, if any. The Company's sole responsibility is to its Client and this document does not exonerate parties to a transaction from exercising all their rights and obligations under the transaction documents. This document cannot be reproduced except in full, without prior written approval of the Company. Any unauthorized alteration, forgery or falsification of the content or appearance of this document is unlawful and offenders may be prosecuted to the fullest extent of the law. Unless otherwise stated the results shown in this test report refer only to the sample(s).

SGS Korea Co., Ltd.

322, The O valley, 76, LS-ro, Dongan-gu, Anyang-si, Gyeonggi-do, Korea 431-080  
t +82 (0)31 4608 000 f +82 (0)31 4608 059 <http://www.sgsgroup.kr>

Member of the SGS Group (Société Générale de Surveillance)

F401 Version 2

## Appendix A

|                                   |   |
|-----------------------------------|---|
| <b>Classification</b>             | <b>Definition under 67/548/EEC and Regulation (EC) No 1907/2006</b>   |
| Carcinogen Category 1:            | <u>Substances known to be carcinogenic to man.</u> There is sufficient evidence to establish a causal association between human exposure to a substance and the development of cancer.  |
| Carcinogen Category 2:            | <u>Substances which should be regarded as if they are carcinogenic to man.</u> There is sufficient evidence to provide a strong presumption that human exposure to a substance may result in the development of cancer.<br>Generally on the basis of:<br>- appropriate long-term animal studies<br>- other relevant information.  |
| Mutagen Category 1:               | <u>Substances known to be mutagenic to man.</u> There is sufficient evidence to establish a causal association between human exposure to a substance and heritable genetic damage.  |
| Mutagen Category 2:               | <u>Substances which should be regarded as if they are mutagenic to man.</u> There is sufficient evidence to provide a strong presumption that human exposure to the substance may result in the development of heritable genetic damage, generally on the basis of:<br>- appropriate animal studies,<br>- other relevant information.   |
| Toxic to Reproduction Category 1: | <u>Substances known to impair fertility in humans.</u> There is sufficient evidence to establish a causal relationship between human exposure to the substance and impaired fertility.<br><u>Substances known to cause developmental toxicity in humans.</u> There is sufficient evidence to establish a causal relationship between human exposure to the substance and subsequent developmental toxic effects in the progeny.   |
| Toxic to Reproduction Category 2: | <u>Substances which should be regarded as if they impair fertility in humans.</u> There is sufficient evidence to provide a strong presumption that human exposure to the substance may result in impaired fertility on the basis of:<br>- clear evidence in animal studies of impaired fertility in the absence of toxic effects, or, evidence of impaired fertility occurring at around the same dose levels as other toxic effects but which is not a secondary nonspecific consequence of the other toxic effects,<br>- other relevant information.<br><u>Substances which should be regarded as if they cause developmental toxicity to humans.</u> There is sufficient evidence to provide a strong presumption that human exposure to the substance may result in developmental toxicity, generally on the basis of:<br>- clear results in appropriate animal studies where effects have been observed in the absence of signs of marked maternal toxicity, or at around the same dose levels as other toxic effects but which are not a secondary non-specific consequence of the other toxic effects,<br>- other relevant information. |
| PBT & vPvB:                       | Substances which are persistent, bioaccumulative and toxic (PBT) or very persistent and very bioaccumulative (vPvB) pose a particular challenge to the chemicals safety management. For these substances a "safe" concentration in the environment cannot be established with sufficient reliability.   |

This document is issued by the Company subject to its General Conditions of Service printed overleaf, available on request or accessible at <http://www.sgs.com/sgs/terms-and-conditions.aspx> and, for electronic format documents, subject to Terms and Conditions for Electronic Documents at [www.sgs.com/terms\\_e-document.htm](http://www.sgs.com/terms_e-document.htm). Attention is drawn to the limitation of liability, indemnification and jurisdiction issues defined therein. Any holder of this document is advised that information contained herein reflects the Company's findings at the time of its intervention only and within the limits of Client's instructions, if any. The Company's sole responsibility is to its Client and this document does not exonerate parties to a transaction from exercising all their rights and obligations under the transaction documents. This document cannot be reproduced except in full, without prior written approval of the Company. Any unauthorized alteration, forgery or falsification of the content or appearance of this document is unlawful and offenders may be prosecuted to the fullest extent of the law. Unless otherwise stated the results shown in this test report refer only to the sample(s).

