

Module LLE 24x1120-1400mm HV ADV5

Modules LLE advanced



Product description

- _ Ideal for linear and panel lights
- _ 2 terminals for serial wiring
- _ Push terminals for quick and simple wiring of LED module to LED module
- _ Reduced mounting and wiring effort
- _ Broad portfolio from extruded lenses and covers available
- _ Long life-time up to 72,000 hours
- _ 5-year guarantee

Optical properties

- _ Colour temperatures 3,000 and 4,000 K
- _ Typ. luminous flux 650, 1,250 and 2,000 lm per foot
- _ Efficacy of the module up to 206 lm/W
- _ High colour rendering index CRI > 80
- _ High colour consistency (MacAdam 3) ^①
- _ Small luminous flux tolerances

Mechanical properties

- _ Module dimension 24 x 1,120 mm and 24 x 1,400 mm (ZHAGA compliant)
- _ Simple installation via clips or screws

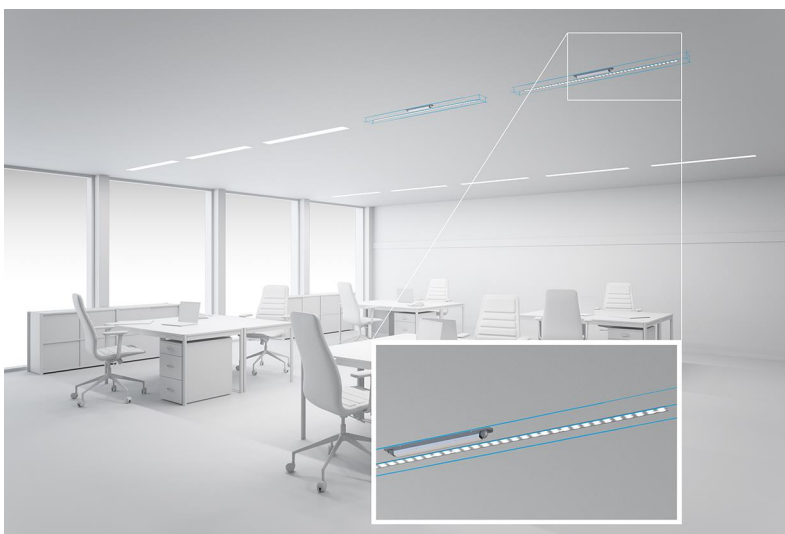
System solution

- _ LED system solution with outstanding system efficacy up to 186 lm/W, consisting of linear LED module and dimmable LED Driver LCA 50W 100 – 400mA Ip PRE

^① Integral measurement over the complete module.

Website

<http://www.tridonic.com/89603223>



Spotlights



Downlights



Linear



Area



Floor | Wall



Free-standing



Street



Decorative

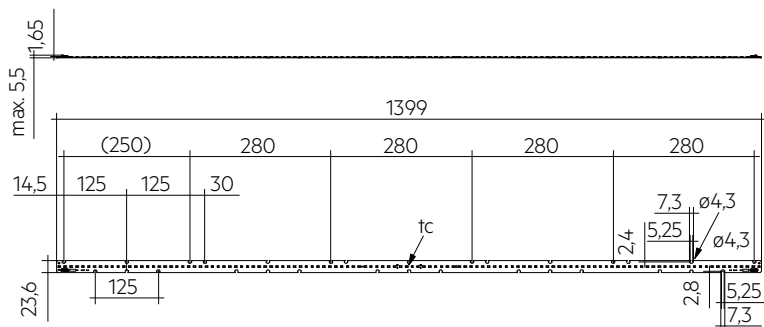


High bay

Module LLE 24x1120-1400mm HV ADV5

Modules LLE advanced

The complete data sheet for this product is available in the Downloads section.



Ordering data

Type	Article number	Colour temperature	Packaging, carton	Weight per pc.
1250 lm per feet				
LLE 24x1400mm 6000lm 840 HV ADV5	89603223	4,000 K	20 pc(s).	0.115 kg

Technical data

Beam characteristic	120°
Ambient temperature range	-40 ... +65 °C
tp rated for 650, 1,250 lm/ft	50 °C
tp rated for 2,000 lm/ft	65 °C
tc	95 °C
I _{rated} for 650, 1250 lm/ft	300 mA
I _{rated} for 2000 lm/ft	325 mA
I _{max}	540 mA
Max. permissible LF current ripple	595 mA
Max. permissible peak current	900 mA / max. 10 ms
Max. working voltage for insulation for 650, 1,250 lm/ft [®]	440 V
Max. working voltage for insulation for 2,000 lm/ft [®]	320 V
Insulation test voltage for 650, 1,250 lm/ft	1.88 kV
Insulation test voltage for 2,000 lm/ft	1.64 kV
CTI of the printed circuit board	≥ 600
ESD classification	Severity level 4
Risk group (IEC 62471) for 650lm/ft at I _{max}	RG0
Risk group (IEC 62471) for 1,250lm/ft at ≤ 470 mA	RG0
Risk group (IEC 62471) for 1,250lm/ft at I _{max}	RG1
Risk group (IEC 62471) for 2,000lm/ft at ≤ 310 mA	RG0
Risk group (IEC 62471) for 2,000lm/ft at I _{max}	RG1
Classification acc. to IEC 62031	Built-in
Type of protection	IP00
Life-time	up to 72,000 h
Guarantee	5 Year(s)

Approval marks



Standards

IEC 62031, IEC 62471, IEC 61000-4-2, IEC 62778, IEC 61547, UL 8750

Specific technical data

Type ^②	Article number	Photometric code	Typ. luminous flux at tp = 25 °C ^{③④}	Typ. luminous flux at tp rated ^{④⑤}	Typ. forward current	Min. forward voltage at tp rated ^⑥	Max. forward voltage at tp = 25 °C ^⑥	Typ. power consumption at tp rated ^④	Efficacy of the module at tp = 25 °C	Efficacy of the module at tp rated	Efficacy of the system at tp rated	Colour rendering index CRI
1250lm per foot – Operating mode HE at 200 mA												
LLE 24x1400mm 6000lm 840 HV ADV5	89603223	840/359	4,490 lm	4,370 lm	200 mA	103.4 V	112.1 V	21.6 W	206 lm/W	202 lm/W	186 lm/W	> 80
1250lm per foot – Operating mode NM at 300 mA												
LLE 24x1400mm 6000lm 840 HV ADV5	89603223	840/359	6,460 lm	6,290 lm	300 mA	105.4 V	114.2 V	32.9 W	194 lm/W	190 lm/W	175 lm/W	> 80
1250lm per foot – Operating mode HO at 500 mA												
LLE 24x1400mm 6000lm 840 HV ADV5	89603223	840/359	10,410 lm	10,140 lm	500 mA	109.0 V	117.1 V	56.9 W	182 lm/W	178 lm/W	164 lm/W	> 80

② If mounted with M4 screws and plastic washers.

③ HE ... High Efficiency, NM ... Nominal Mode, HO ... High Output.

④ Tolerance range for optical and electrical data: ±10 %.

⑤ Measurement tolerance optical data: ±5 %.

⑥ Measurement tolerance forward voltage: ±0,1 V.