

Module LLE G4 24mm 650lm ADV

Modules LLE advanced



LLE G4 24x70mm 160lm ADV QTY4



LLE G4 24x280mm 650lm ADV



LLE G4 24x560mm 1300lm ADV

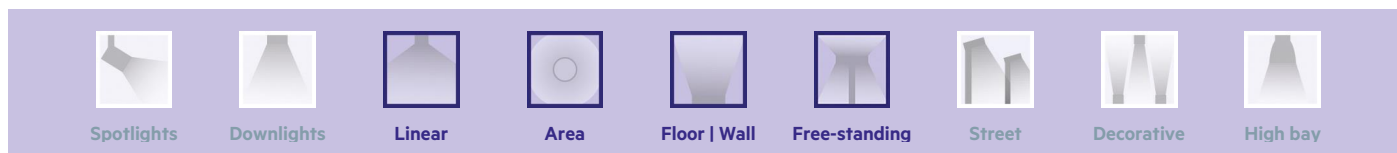
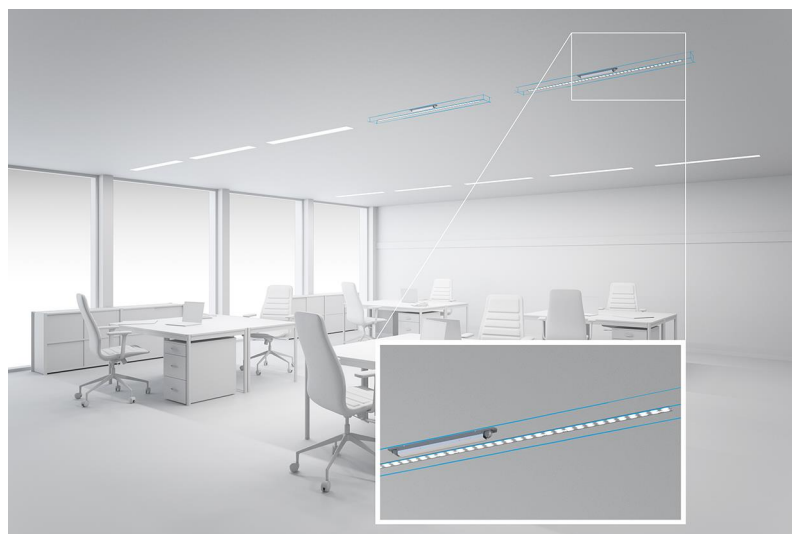
Product description

- _ Ideal for linear and panel lights
- _ SELV module – the single module has a forward voltage < 60 V
- _ Terminals – 2 variants: 2 terminals for serial wiring; 4 terminals for parallel, serial or robot wiring
- _ Typ. luminous flux 160, 325, 650 and 1,300 lm
- _ LED system solution with outstanding system efficacy up to 166 lm/W, consisting of linear LED module and dimmable LED Driver LCA 50W 100 – 400mA Ip PRE
- _ Efficacy of the module up to 187 lm/W
- _ High colour rendering index CRI > 80
- _ Small colour tolerance (MacAdam 3) ^①
- _ Small luminous flux tolerances
- _ Colour temperatures 2,700, 3,000, 3,500, 4,000, 5,000 and 6,500 K
- _ Module dimension 24 x 70 mm, 24 x 140 mm, 24 x 280 mm and 24 x 560 mm (ZHAGA compliant)
- _ Perfectly uniform light, even if several LED modules are used together in a line
- _ Push terminals for quick and simple wiring of LED module to LED module
- _ Broad portfolio from extruded lenses and covers available
- _ Simple installation via clips or screws
- _ Long life-time: 50,000 hours
- _ 5-year guarantee

^① Integral measurement over the complete module.

Website

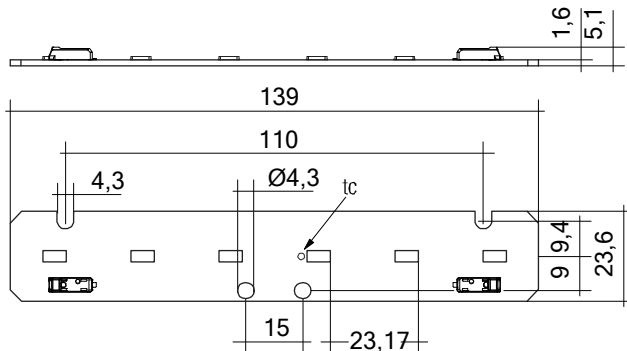
<http://www.tridonic.com/28001467>



Module LLE G4 24mm 650lm ADV

Modules LLE advanced

The complete data sheet for this product is available in the Downloads section.

**Ordering data**

Type	Article number	Colour temperature	Packaging, carton [®]	Weight per pc.
LLE 24mm ADV 2 terminals (2T) for serial wiring				
LLE G4 24x140mm 325lm 840 2T ADV	28001467	4000 K	480 pc(s).	0.012 kg

Technical data

Beam characteristic	120°
Ambient temperature range	-40 ... +65 °C
tp rated	65 °C
tc	85 °C
Irated	325 mA
I _{max} for 24x70mm	540 mA
I _{max} for 24x140mm, 24x280mm, 24x560mm	500 mA
Max. DC forward current	600 mA
Max. permissible LF current ripple	660 mA
Max. permissible peak current	780 mA / max. 10 ms
Max. working voltage for insulation [®]	320 V
Insulation test voltage	1.64 kV
CTI of the printed circuit board	≥ 600
ESD classification	Severity level 4
Risk group (EN 62471:2008) [®]	RG1
Classification acc. to IEC 62031	Built-in
Type of protection	IP00

Approval marks**Standards**

EN 62031, EN 62471, EN 61347-1, EN 61547, EN 55015

Specific technical data

Type [®]	Photometric code	Typ. luminous flux at tp = 25 °C ^②	Typ. luminous flux at tp = 65 °C ^②	Typ. forward current	Min. forward voltage at tp = 65 °C	Max. forward voltage at tp = 25 °C	Typ. power consumption at tp = 65 °C ^②	Luminous efficacy module at tp = 25 °C	Luminous efficacy module at tp = 65 °C	Luminous efficacy system at tp = 65 °C	Colour rendering index: CRI
Operating mode HE at 225 mA											
LLE G4 24x140mm 325lm 840 2T ADV	840/359	230 lm	220 lm	225 mA	5.2 V	6.3 V	1.2 W	183 lm/W	176 lm/W	162 lm/W	> 80
Operating mode HE at 275 mA											
LLE G4 24x140mm 325lm 840 2T ADV	840/359	280 lm	270 lm	275 mA	5.2 V	6.3 V	1.5 W	180 lm/W	173 lm/W	159 lm/W	> 80
Operating mode NM at 300 mA											
LLE G4 24x140mm 325lm 840 2T ADV	840/359	310 lm	290 lm	300 mA	5.3 V	6.4 V	1.7 W	178 lm/W	171 lm/W	157 lm/W	> 80
Operating mode NM at 325 mA											
LLE G4 24x140mm 325lm 840 2T ADV	840/359	330 lm	310 lm	325 mA	5.3 V	6.4 V	1.9 W	176 lm/W	170 lm/W	156 lm/W	> 80
Operating mode NM at 350 mA											
LLE G4 24x140mm 325lm 840 2T ADV	840/359	350 lm	330 lm	350 mA	5.4 V	6.4 V	2.0 W	174 lm/W	167 lm/W	154 lm/W	> 80
Operating mode HO at 400 mA											
LLE G4 24x140mm 325lm 840 2T ADV	840/359	390 lm	370 lm	400 mA	5.4 V	6.5 V	2.3 W	168 lm/W	162 lm/W	149 lm/W	> 80
Operating mode HO at 450 mA											
LLE G4 24x140mm 325lm 840 2T ADV	840/359	440 lm	420 lm	450 mA	5.5 V	6.6 V	2.6 W	165 lm/W	158 lm/W	145 lm/W	> 80
Operating mode HO at 500 mA											
LLE G4 24x140mm 325lm 840 2T ADV	840/359	480 lm	450 lm	500 mA	5.5 V	6.6 V	3.0 W	160 lm/W	154 lm/W	142 lm/W	> 80

② If mounted with M4 screws and plastic washers.

③ Measured at operating mode HO.

④ Min. order quantity LLE G4 24x70mm QTY4: 30 pcs. The LLE G4 24x70mm QTY4 module contains 4 single 24x70mm modules which have to be separated.

⑤ HE ... High Efficiency, NM ... Nominal Mode, HO ... High Output.

⑥ Tolerance range for optical and electrical data: ±10 %.